



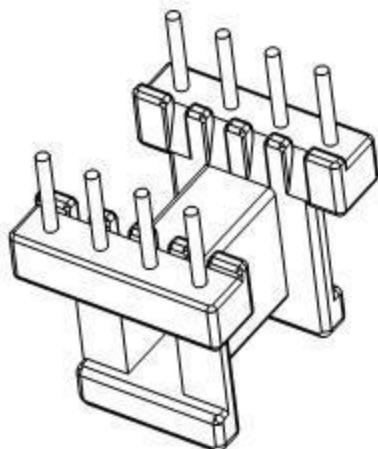
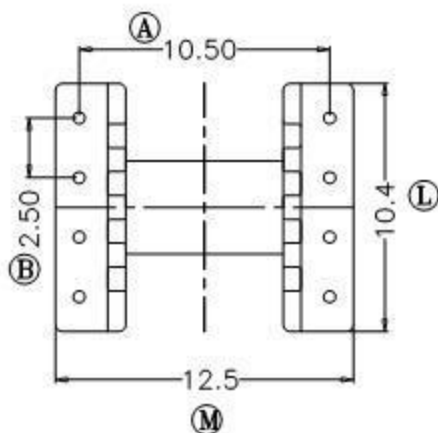
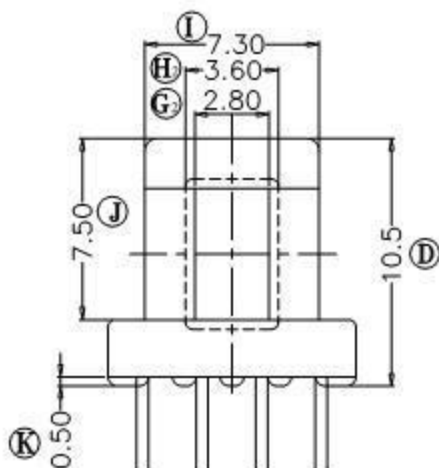
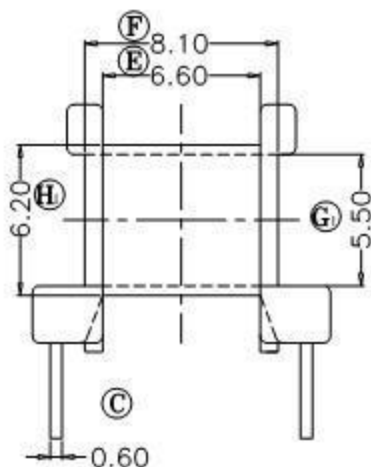
Fusign

伏赛电子有限公司
Fusign Electronics Co., Ltd

型号

EE-1001-1

REV	REVISIONS	REC	DATE



DRAWNBY	JING LI PENG	TOLERANCE	MODEL NAME:	EE10-8P-1S
CHECKER BY	LING RONG WANG		X. X ± 0.3 X. XX ± 0.2 壁厚: ± 0.15 PINPITCH ± 0.2	BOBBIN MATERIAL:
DATE	01-01-2008		SCALE: 4:1	SCALE: UL 94V-0
				SCALE: M/M