

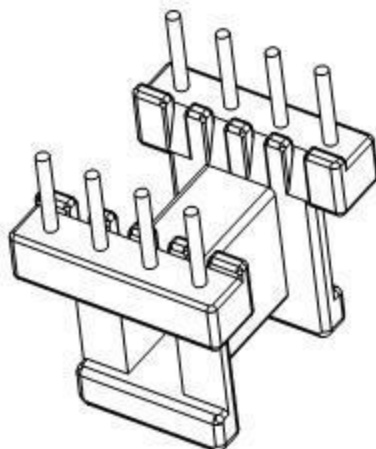
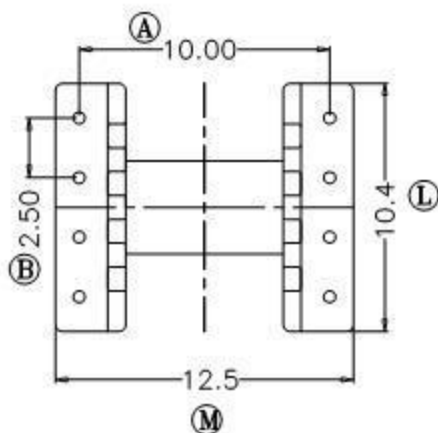
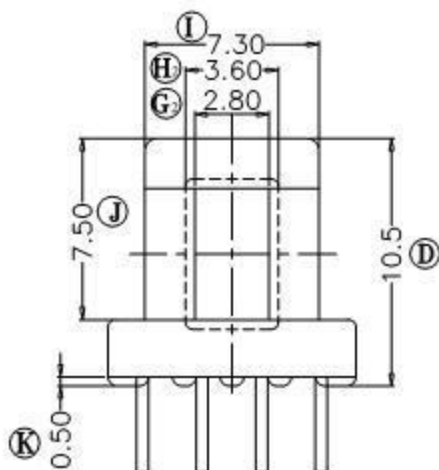
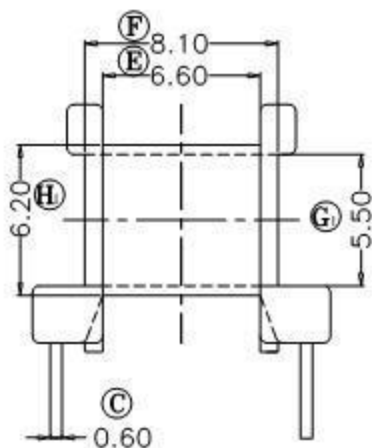


伏赛电子有限公司
Fusign Electronics Co., Ltd

型号

EE-1001

REV	REVISIONS	REC	DATE



DRAWNBY	JING LI PENG	TOLERANCE	MODEL NAME:	EE10-8P-1S		
CHECKER BY	LING RONG WANG		BOBBIN MATERIAL:	PHENOLIC		
DATE	01-01-2008	X, X ± 0.3	SCALE:	4:1		
		X, XX ± 0.2		SCALE:	UL 94V-0	
		壁厚: ± 0.15			SCALE:	M/M
		PINPITCH ± 0.2				