

HONESTY PASSION INNOVATION

welcome to read and use our company's products

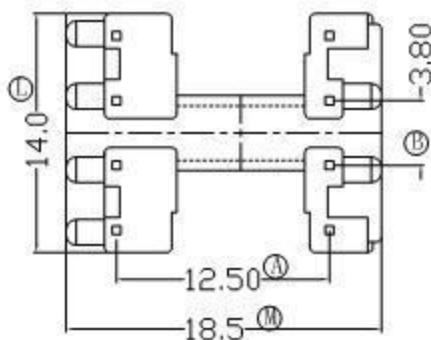
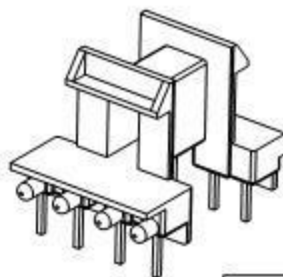
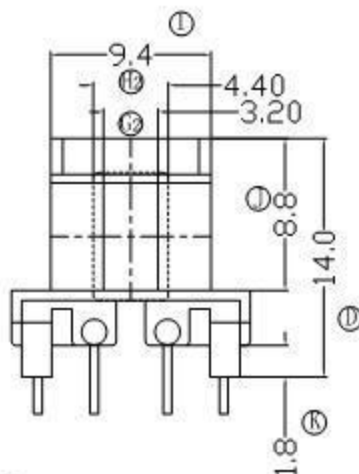
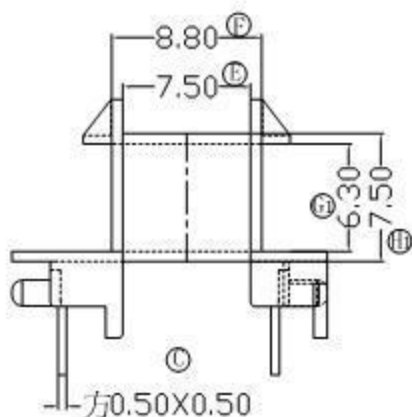


伏赛电子有限公司
Fusign Electronics Co., Ltd

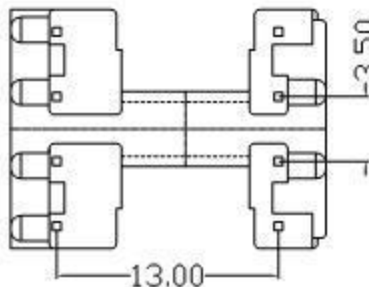
型号

EE-1308

REV	REVISIONS REC	DATE



EE-1308-1



DRAWN BY	JING LI PENG	TOLERANCE	MODEL NAME:	EE13-8P-1S	
CHECKER BY	LING RONG WANG		X. X ± 0.3	BOBBIN MATERIAL:	PHENOLIC
DATE	01-01-2008	X. XX ± 0.2	SCALE:	4:1	SCALE: UL 94V-0
		壁厚: ± 0.15			SCALE: M/M
		PIN PITCH ± 0.2			

