

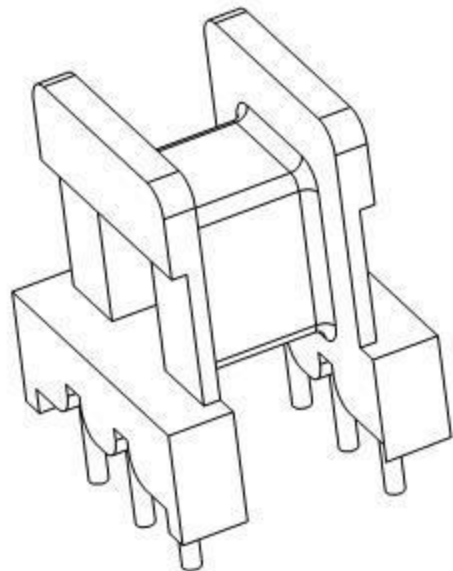
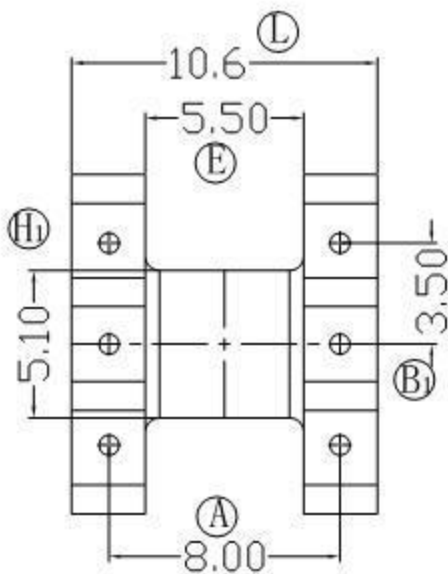
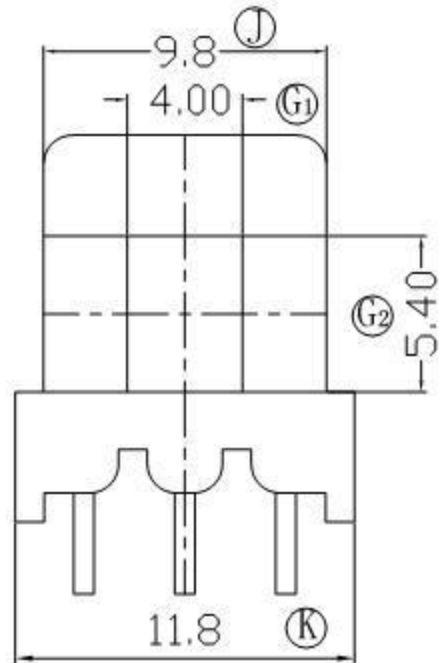
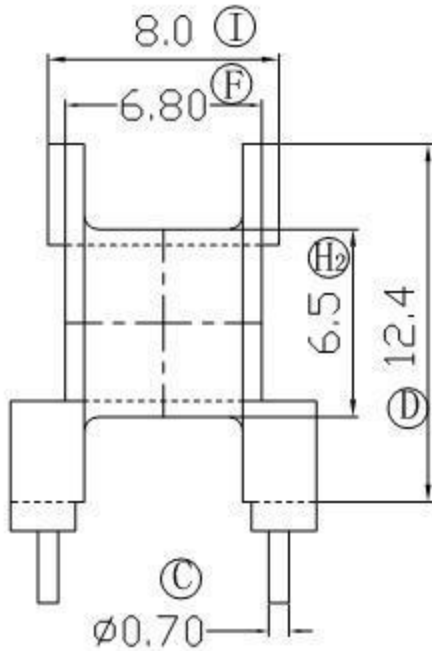


伏赛电子有限公司  
Fusign Electronics Co., Ltd

型号

EE-1402

REV	REVISIONS REC	DATE



DRAWNBY	JING LI PENG	TOLERANCE	MODEL NAME:	EE14-6P-1S	
CHECKER BY	LING RONG WANG		BOBBIN MATERIAL:	PHENOLIC	
DATE	01-01-2008		X.X ± 0.3 X.XX ± 0.2 壁厚: ± 0.15 PINPITCH ± 0.2	SCALE: 4:1	SCALE: UL 94V-0
				SCALE: M/M	