



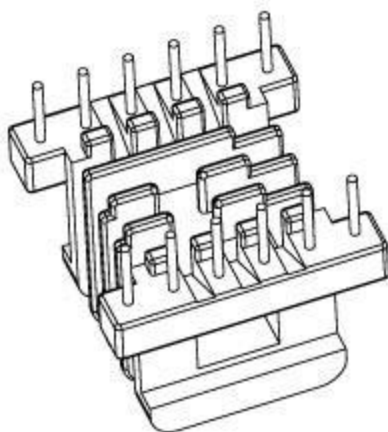
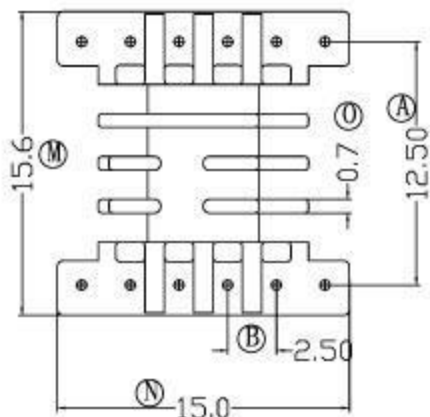
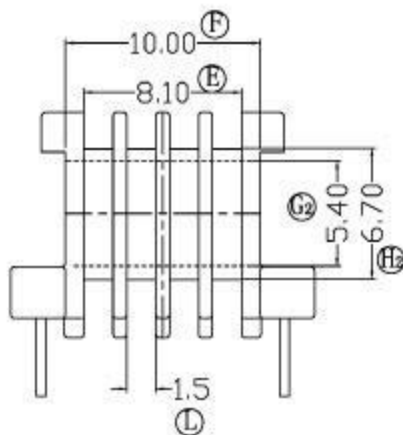
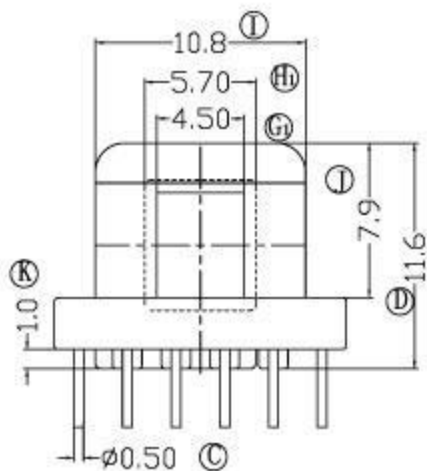
Fusign

 伏赛电子有限公司  
 Fusign Electronics Co., Ltd

型号

EE-1601

REV	REVISIONS REC	DATE



DRAWNBY	JING LI PENG	TOLERANCE	MODEL NAME:	EE16-12P-4S			
CHECKER BY	LING RONG WANG		X. X	± 0.3	BOBBIN MATERIAL:	PHENOLIC	
DATE	01-01-2008	X. XX	± 0.2	SCALE:	4:1	SCALE:	UL 94V-0
		壁厚:	± 0.15			SCALE:	M/M
		PIN PITCH	± 0.2				