



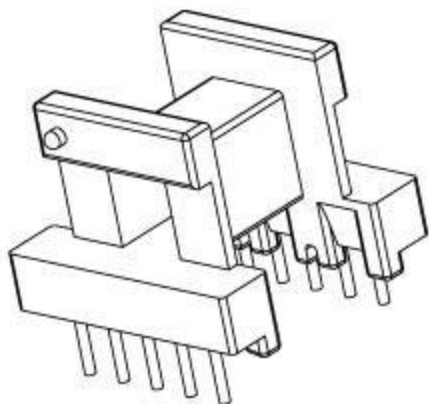
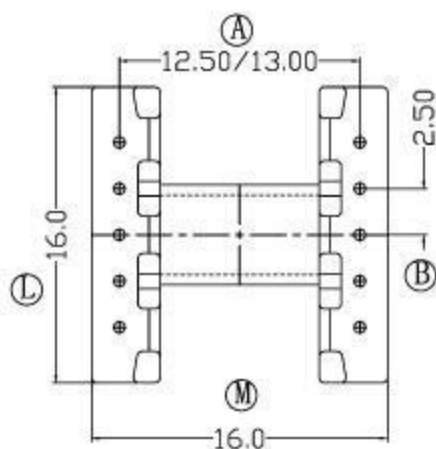
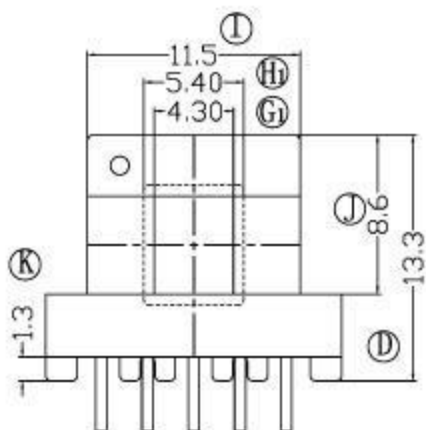
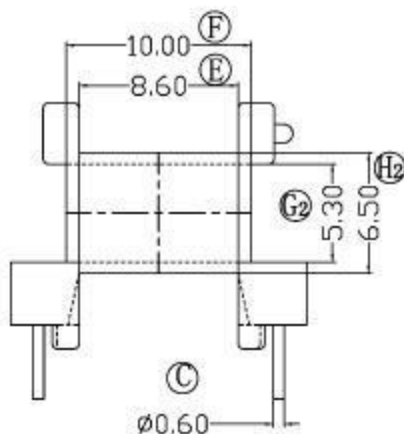
Fusign

 伏赛电子有限公司
 Fusign Electronics Co., Ltd

型号

EE-1602-1

REV	REVISIONS REC	DATE



DRAWN BY	JING LI PENG	TOLERANCE	MODEL NAME:	EE-16-10P-1S
CHECKER BY	LING RONG WANG		BOBBIN MATERIAL:	PHENOLIC
DATE	01-01-2008	X. X ± 0.3	SCALE:	3:1
		X. XX ± 0.2	SCALE:	UL 94V-0
		壁厚: ± 0.15	SCALE:	M/M
		PINPITCH ± 0.2		