



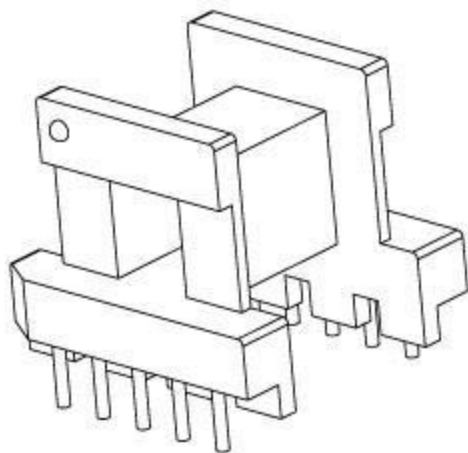
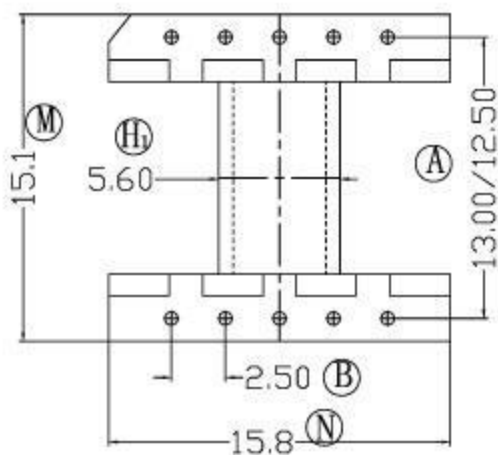
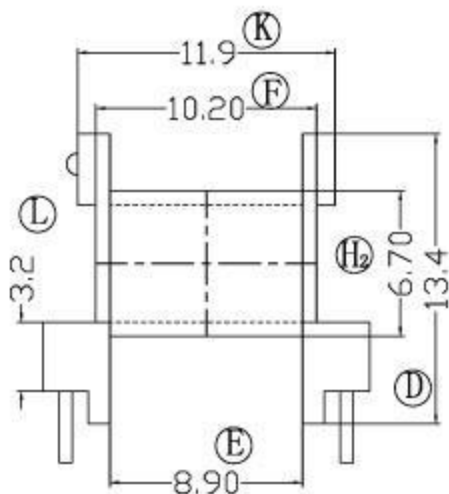
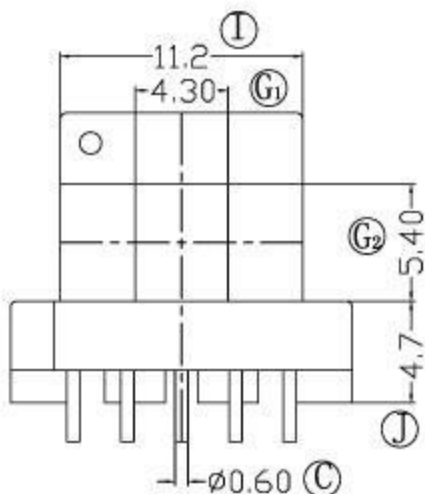
Fusign

 伏赛电子有限公司
 Fusign Electronics Co., Ltd

型号

EE-1602

REV	REVISIONS REC	DATE



DRAWNBY	JING LI PENG	TOLERANCE	MODEL NAME:	EE-16-10P-1S
CHECKER BY	LING RONG WANG		BOBBIN MATERIAL:	PHENOLIC
DATE	01-01-2008	X. X ± 0.3	SCALE: 4:1	SCALE: UL 94V-0
		X. XX ± 0.2		SCALE: M/M
		壁厚: ± 0.15		
		PINPITCH ± 0.2		