



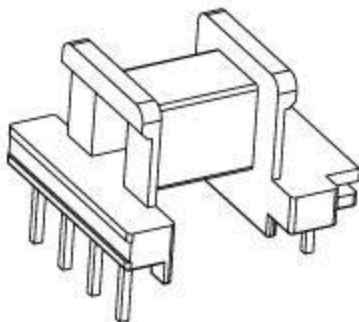
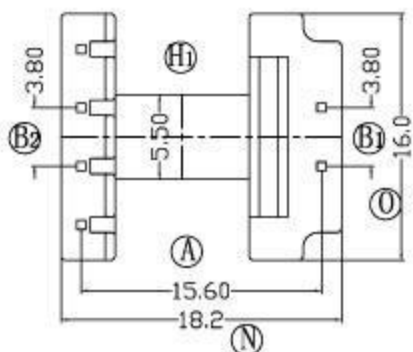
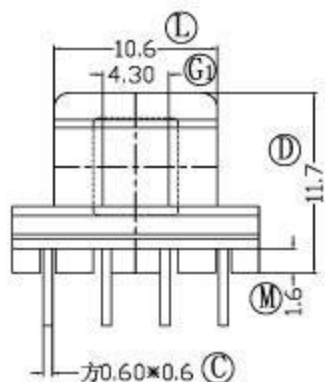
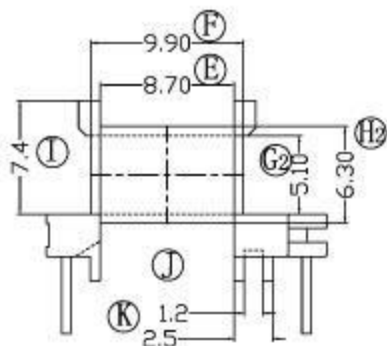
Fusign

 伏赛电子有限公司
 Fusign Electronics Co., Ltd

型号

EE-1606

REV	REVISIONS REC	DATE



DRAWNBY	JING LI PENG	TOLERANCE	MODEL NAME:	EE-16 (2+4P) -1S	
CHECKER BY	LING RONG WANG		X. X	± 0.3	BOBBIN MATERIAL:
DATE	01-01-2008	X. XX	± 0.2	SCALE:	3:1
		壁厚:	± 0.15	SCALE:	UL 94V-0
		PINPITCH	± 0.2	SCALE:	M/M