



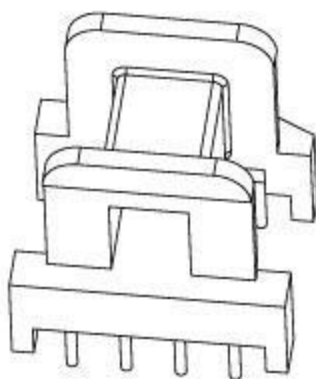
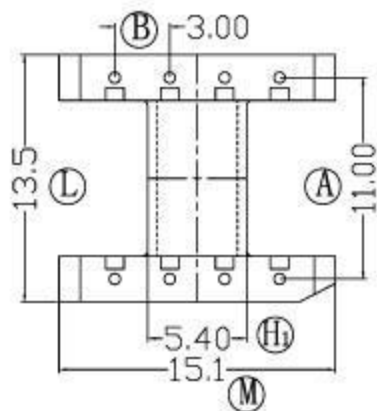
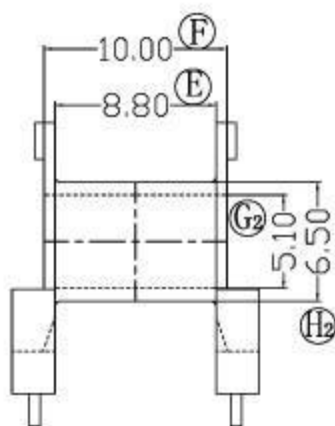
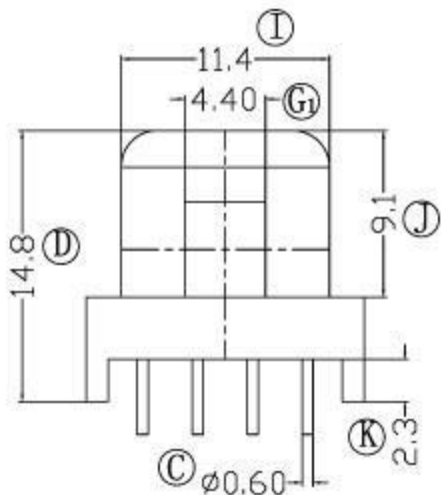
Fusign

 伏赛电子有限公司
 Fusign Electronics Co., Ltd

型号

EE-1609

REV	REVISIONS REC	DATE



DRAWNBY	JING LI PENG	TOLERANCE	MODEL NAME:	EE-16-8P-1S
CHECKER BY	LING RONG WANG		X. X ± 0.3	BOBBIN MATERIAL:
DATE	01-01-2008	X. XX ± 0.2	SCALE:	4:1
		壁厚: ± 0.15	SCALE:	UL 94V-0
		PIN PITCH ± 0.2	SCALE:	M/M