



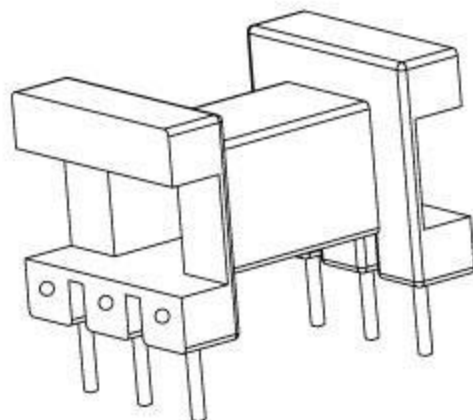
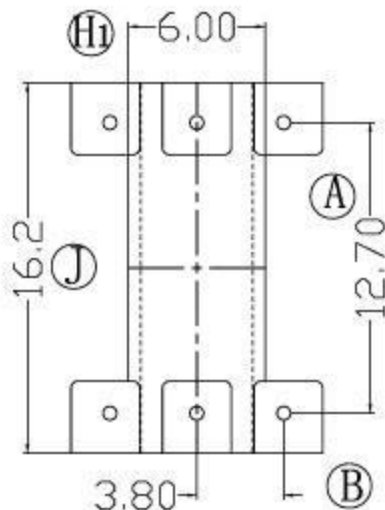
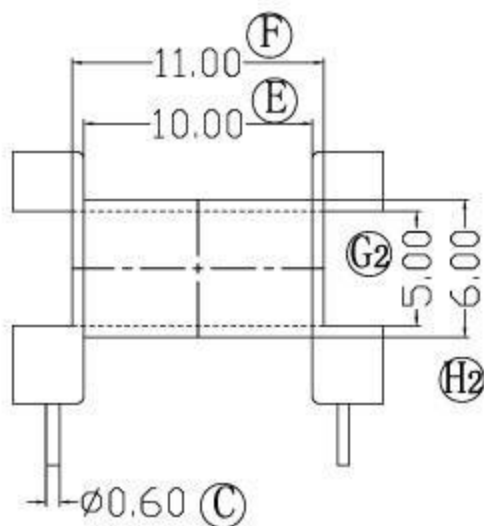
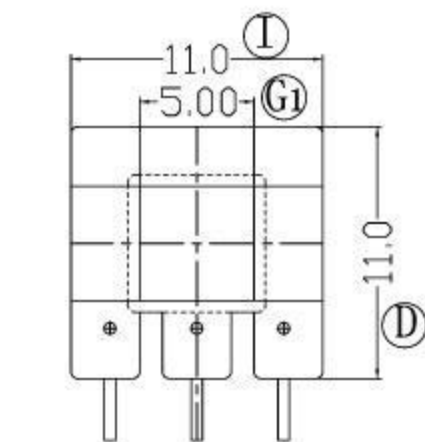
Fusign

 伏赛电子有限公司  
 Fusign Electronics Co., Ltd

型号

EE-1612

REV	REVISIONS REC	DATE



DRAWNBY	JING LI PENG	TOLERANCE	MODEL NAME:	EE16-6P-1S
CHECKER BY	LING RONG WANG	X. X ± 0.3	BOBBIN MATERIAL:	NYLON
DATE	01-01-2008	X. XX ± 0.2	SCALE:	4:1
		壁厚: ± 0.15	SCALE:	UL 94V-0
		PINPITCH ± 0.2	SCALE:	M/M