



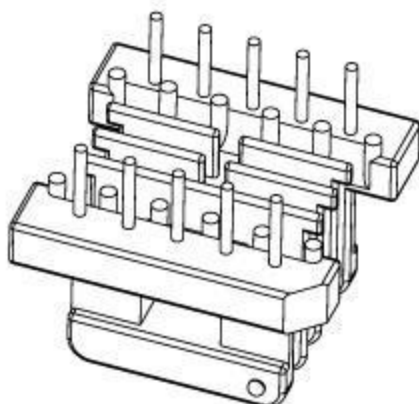
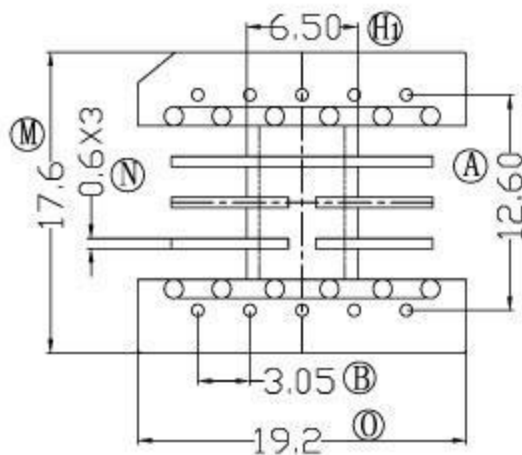
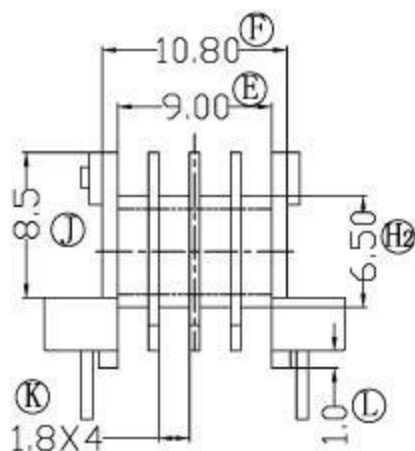
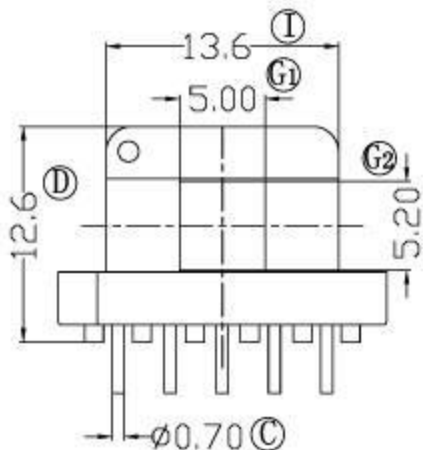
Fusign

 伏赛电子有限公司  
 Fusign Electronics Co., Ltd

型号

EE-1901

REV	REVISIONS REC	DATE



DRAWN BY	JING LI PENG	TOLERANCE	MODEL NAME: EE19-10P-4S	
CHECKER BY	LING RONG WANG		X. X	± 0.3
DATE	01-01-2008	X. XX	± 0.2	SCALE: 3.5:1
		壁厚:	± 0.15	SCALE: UL 94V-0
		PIN PITCH	± 0.2	SCALE: M/M

