

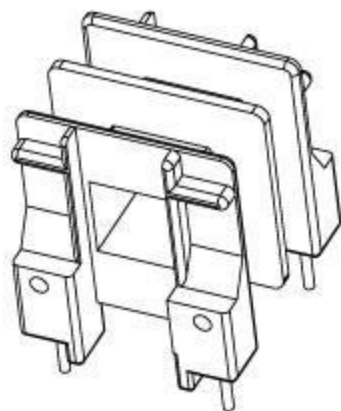
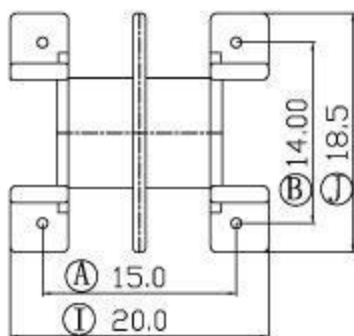
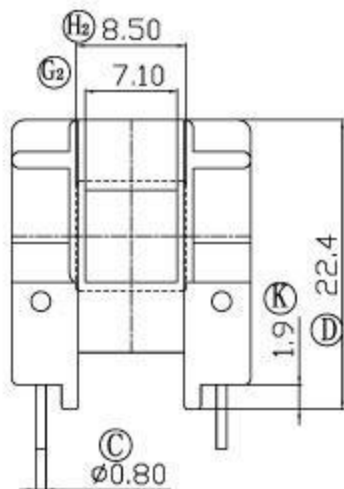
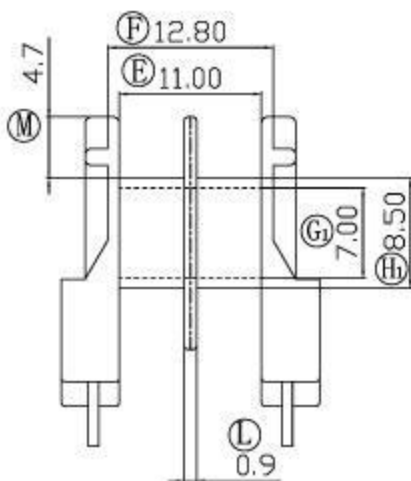


伏赛电子有限公司  
Fusign Electronics Co., Ltd

型号

EE-2504

REV	REVISIONS REC	DATE



DRAWNBY	JING LI PENG	TOLERANCE	MODEL NAME:	EE25-(2+2)P-2S
CHECKER BY	LING RONG WANG	X. X ± 0.3	BOBBIN MATERIAL:	PBT 白色
DATE	01-01-2008	X. XX ± 0.2	SCALE: 3:1	SCALE: UL 94V-0
		壁厚: ± 0.15		SCALE: M/M
		PINPITCH ± 0.2		