

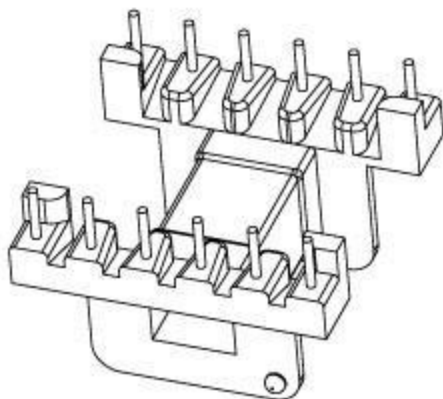
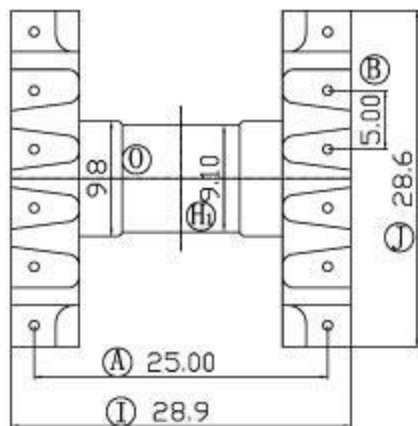
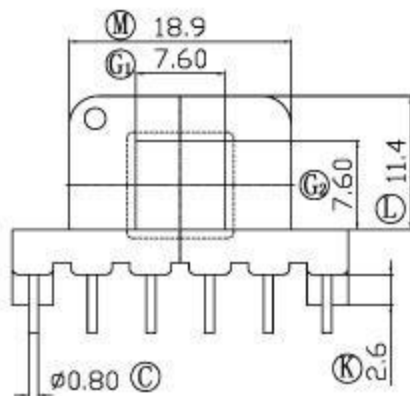
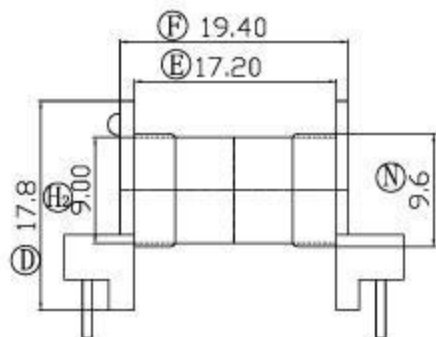


伏赛电子有限公司
Fusign Electronics Co., Ltd

型号

EE-3003

| REV | REVISIONS REC | DATE |
|-----|---------------|------|
| | | |
| | | |



| | | | | | | |
|------------|----------------|-----------|-------------|------------------|--------|----------|
| DRAWN BY | JING LI PENG | TOLERANCE | MODEL NAME: | EE30-12P-1S | | |
| CHECKER BY | LING RONG WANG | | X. X | BOBBIN MATERIAL: | | PHENOLIC |
| DATE | 01-01-2008 | X. XX | SCALE: | 1.5:1 | SCALE: | UL 94V-0 |
| | | 壁厚: | | | SCALE: | M/M |
| | | PIN PITCH | | | | |