

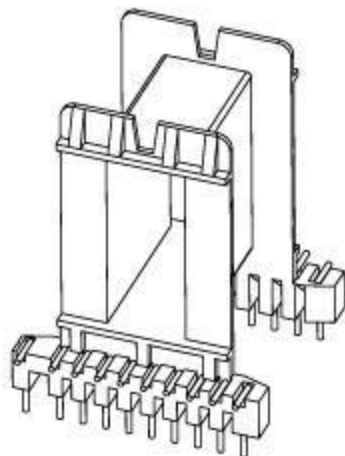
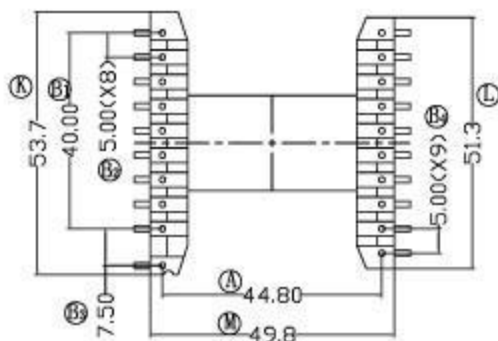
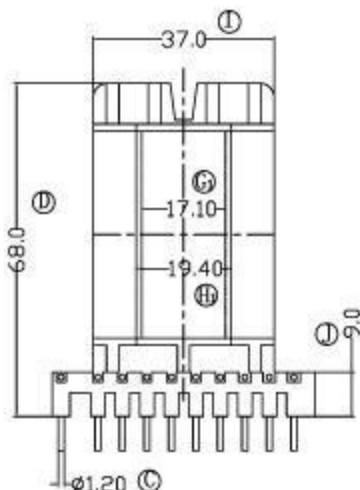
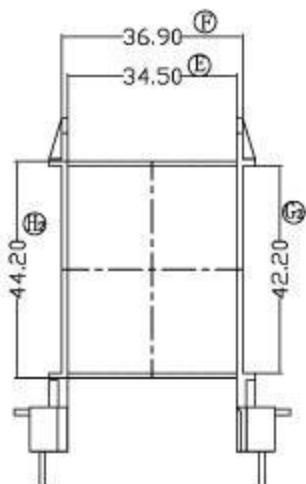


伏赛电子有限公司
Fusign Electronics Co., Ltd

型号

EE-5501

REV	REVISIONS REC	DATE



DRAWN BY	JING LI PENG	TOLERANCE	MODEL NAME:	EE55-20P双排磁心	
CHECKER BY	LING RONG WANG		X. X	± 0.3	BOBBIN MATERIAL:
DATE	01-01-2008	X. XX	± 0.2	SCALE:	1:1
		壁厚:	± 0.15	SCALE:	UL 94V-0
		PINPITCH	± 0.2	SCALE:	M/M

