



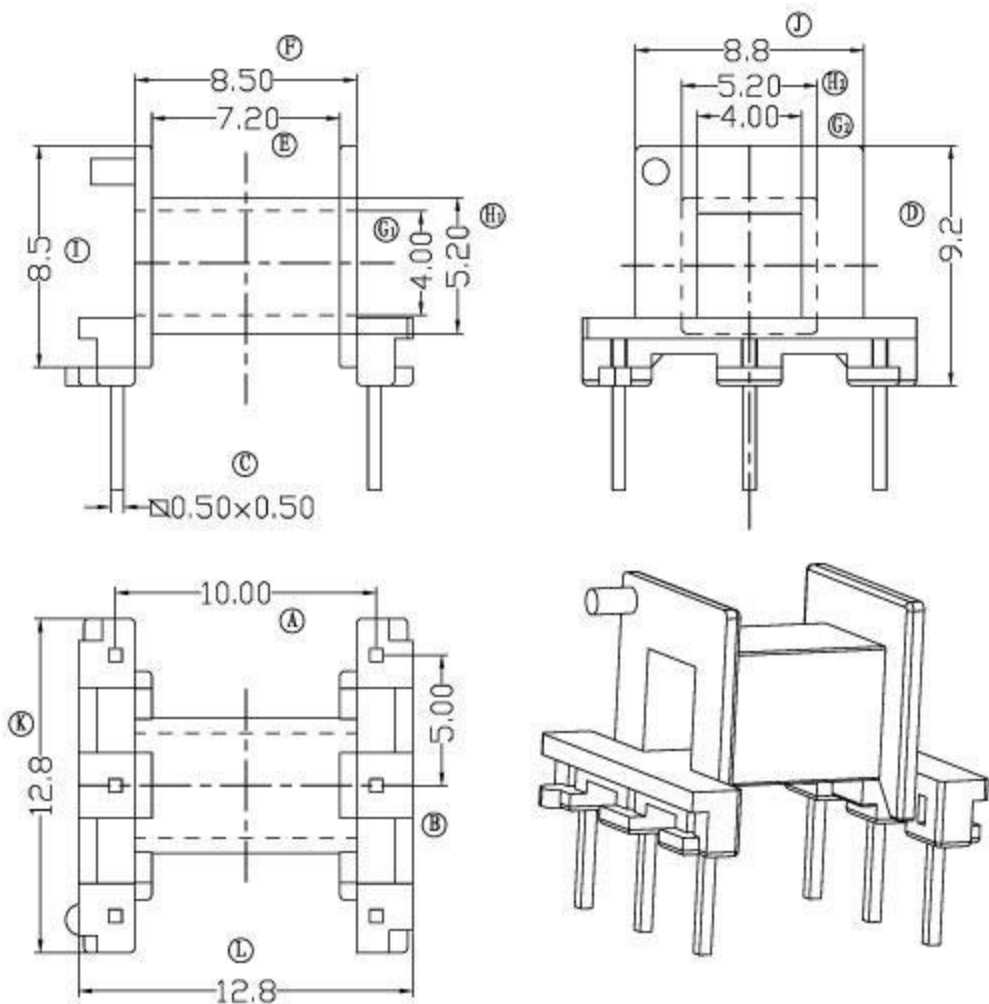
Fusign

 伏赛电子有限公司
 Fusign Electronics Co., Ltd

型号

EF-1201

REV	REVISIONS REC	DATE



DRAWN BY	JING LI PENG	TOLERANCE	MODEL NAME:	EF12.6-6P-1S
CHECKER BY	LING RONG WANG		BOBBIN MATERIAL:	PET
DATE	01-01-2008	X. X ± 0.3	SCALE:	2:1
		X. XX ± 0.2	SCALE:	UL 94V-0
		壁厚: ± 0.15	SCALE:	M/M
		PINPITCH ± 0.2		

