

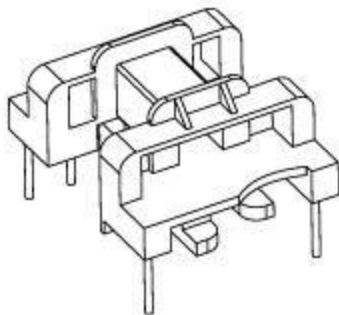
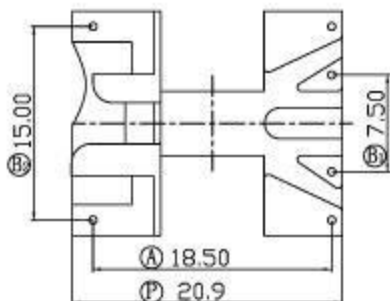
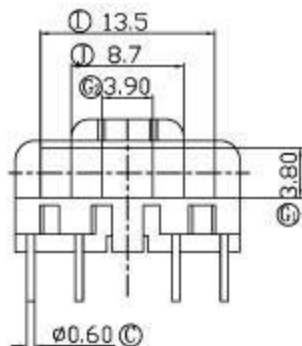
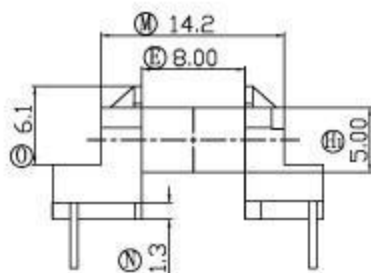
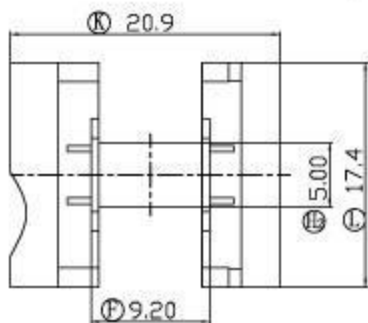


伏赛电子有限公司
Fusign Electronics Co., Ltd

型号

EF-1502

REV	REVISIONS REC	DATE



DRAWNBY	JING LI PENG
CHECKER BY	LING RONG WANG
DATE	01-01-2008

TOLERANCE	
X, X	± 0.3
X, XX	± 0.2
壁厚:	± 0.15
PINPITCH	± 0.2

MODEL NAME:	EF15 (2+4P) -1S	
BOBBIN MATERIAL:	PHENOLIC	
SCALE:	2:1	SCALE: UL 94V-0
		SCALE: M/M