



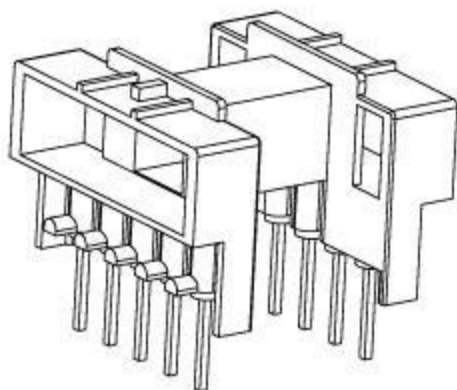
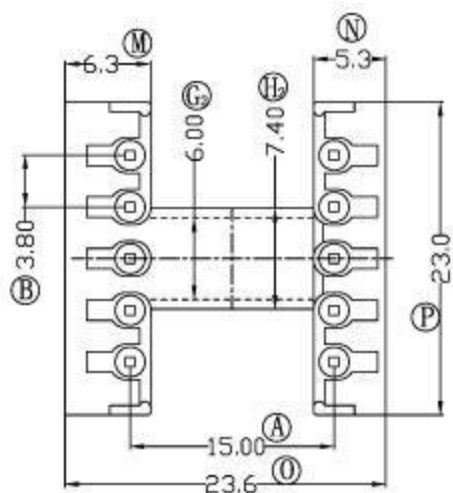
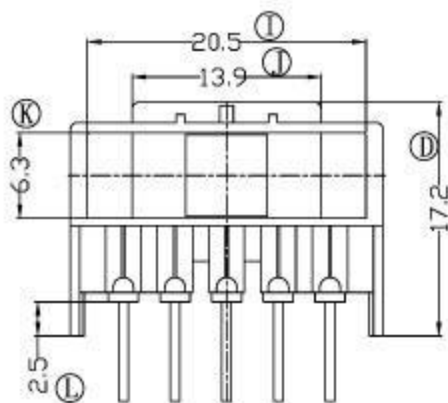
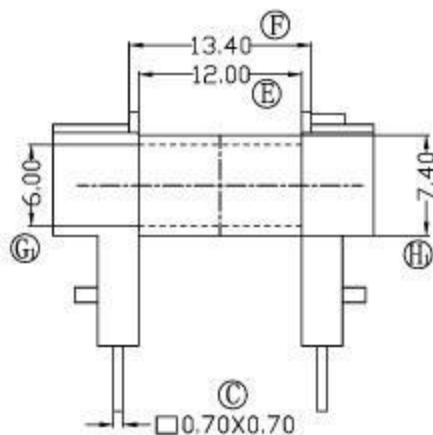
Fusign

 伏赛电子有限公司
 Fusign Electronics Co., Ltd

型号

EF-2005

REV	REVISIONS REC	DATE



DRAWN BY	JING LI PENG
CHECKER BY	LING RONG WANG
DATE	01-01-2008

TOLERANCE	
X.X	± 0.3
X.XX	± 0.2
壁厚:	± 0.15
PINPITCH	± 0.2

MODEL NAME:	EF-20 (5+5P)	
BOBBIN MATERIAL:	PBT	
SCALE:	2:1	SCALE: UL 94V-0
		SCALE: M/M