

HONESTY PASSION INNOVATION

welcome to read and use our company's products

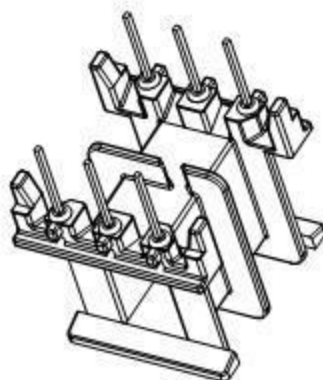
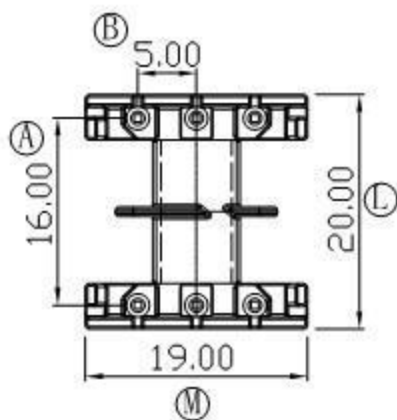
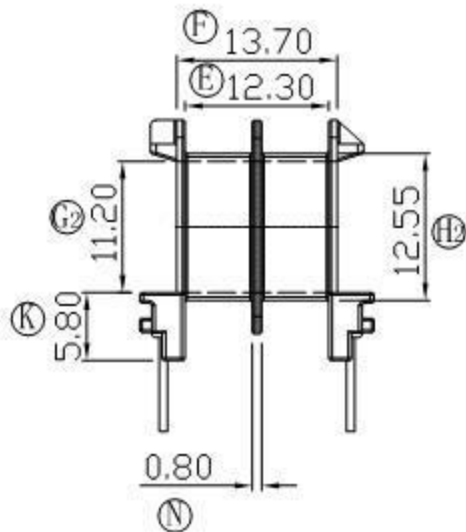
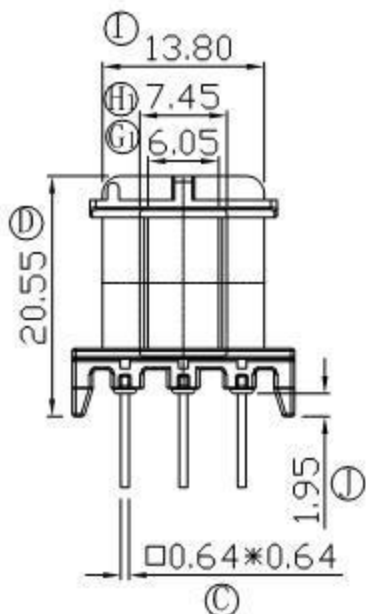


伏赛电子有限公司
Fusign Electronics Co., Ltd

型号

EF-2010-1

REV	REVISIONS REC	DATE



DRAWNBY	JING LI PENG	TOLERANCE X, X ± 0.3 X, XX ± 0.2 壁厚: ± 0.15 PINPITCH ± 0.2	MODEL NAME:	EF20-6P-2S
CHECKER BY	LING RONG WANG		BOBBIN MATERIAL:	PET本色/NYLON红色
DATE	01-01-2008		SCALE: 2:1	SCALE: UL 94V-0
				SCALE: M/M