

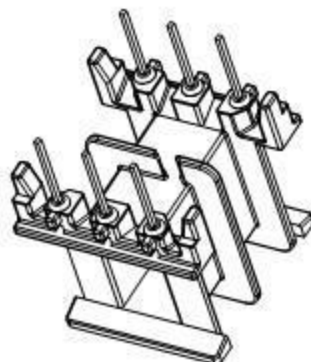
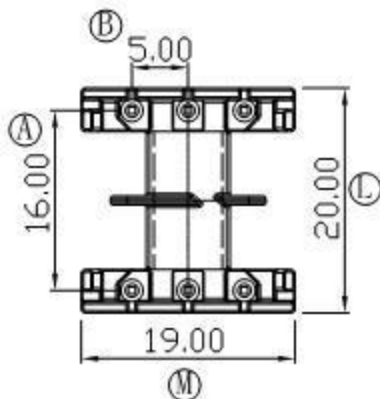
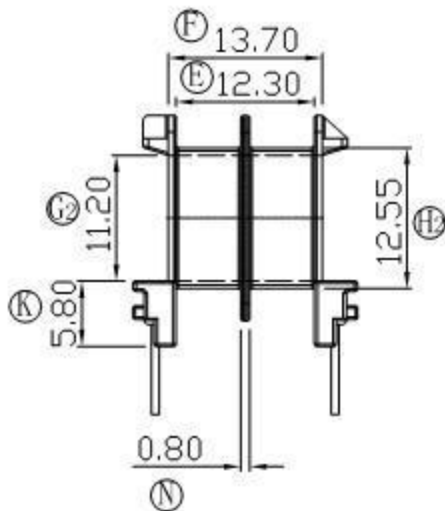
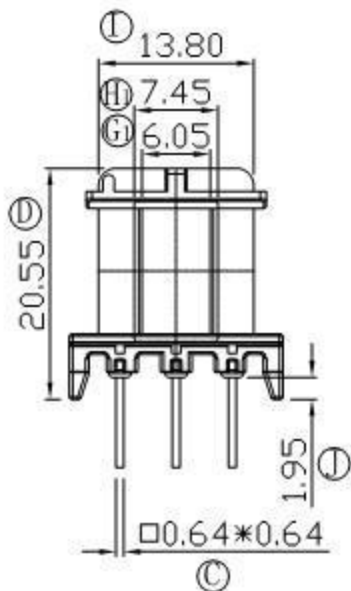


伏赛电子有限公司
Fusign Electronics Co., Ltd

型号

EF-2010-1

REV	REVISIONS	REC	DATE



DRAWNBY	JING LI PENG	TOLERANCE	MODEL NAME: EF20-6P-2S	
CHECKER BY	LING RONG WANG	X. X ± 0.3	BOBBIN MATERIAL: PET本色/NYLON红色	
DATE	01-01-2008	X. XX ± 0.2	SCALE: 2:1	SCALE: UL 94V-0
		壁厚: ± 0.15	SCALE: M/M	
		PINPITCH ± 0.2		