

HONESTY PASSION INNOVATION

welcome to read and use our company's products

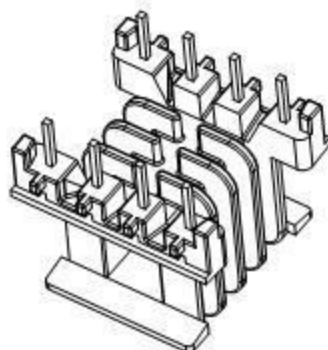
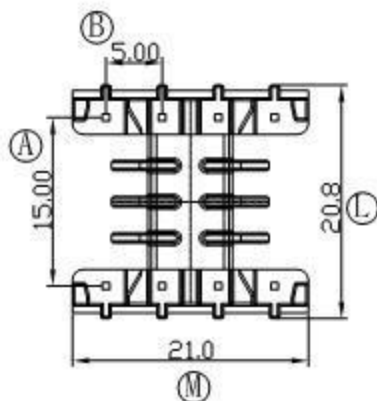
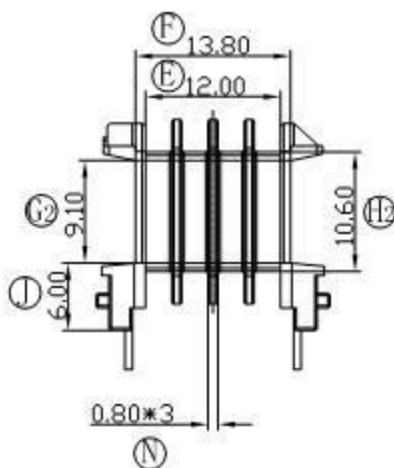
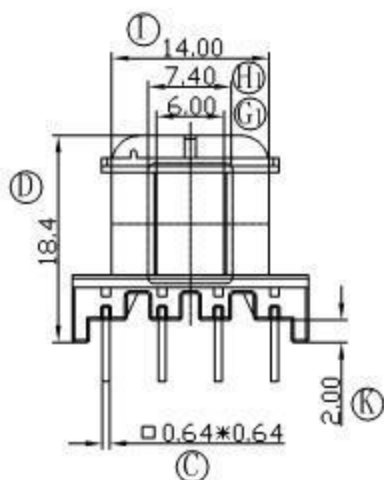


伏赛电子有限公司
Fusign Electronics Co., Ltd

型号

EF-2012-2

REV	REVISIONS	REC	DATE



DRAWNBY	JING LI PENG	TOLERANCE	MODEL NAME: EF20-8P-4S	
CHECKER BY	LING RONG WANG	X, X	± 0.3	BOBBIN MATERIAL: PET本色/NYLON红色
DATE	01-01-2008	X, XX	± 0.2	SCALE: 2:1
		壁厚:	± 0.15	SCALE: UL 94V-0
		PINPITCH	± 0.2	SCALE: M/M

