

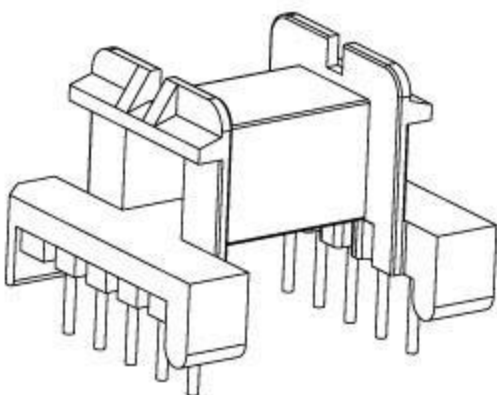
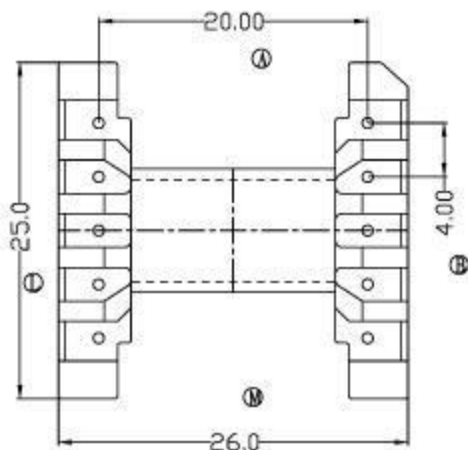
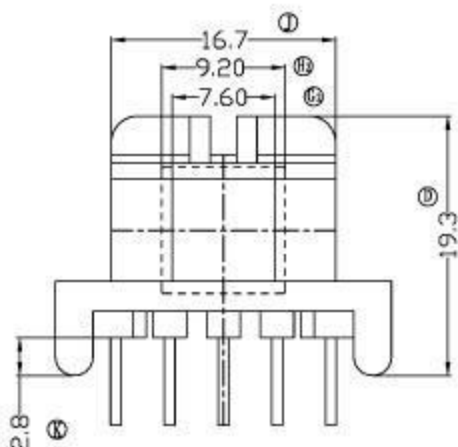
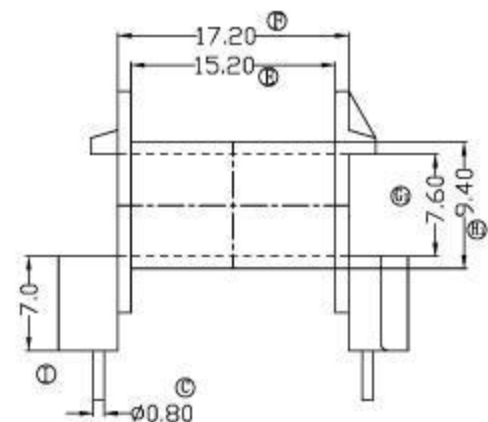


伏赛电子有限公司  
Fusign Electronics Co., Ltd

型号

EF-2502-1

REV	REVISIONS REC	DATE



DRAWNBY

JING LI PENG

TOLERANCE

MODEL NAME:

EF-25 (5+5P)

CHECKER BY

LING RONG WANG

X. X           ± 0.3  
X. XX         ± 0.2  
壁厚:         ± 0.15  
PINPITCH     ± 0.2

BOBBIN MATERIAL:

PHENOLIC

DATE

01-01-2008

SCALE: 2:1

SCALE: UL 94V-0



SCALE: M/M