



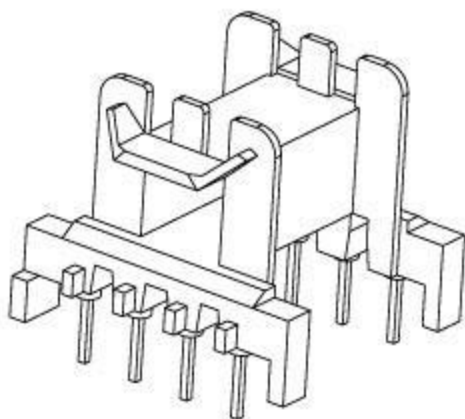
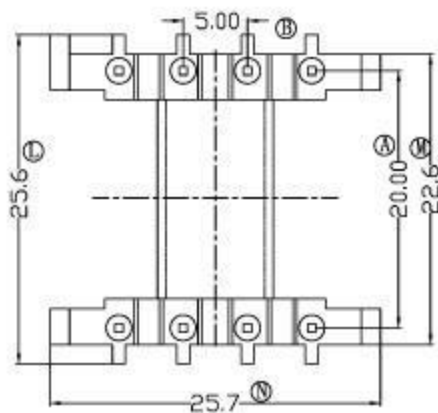
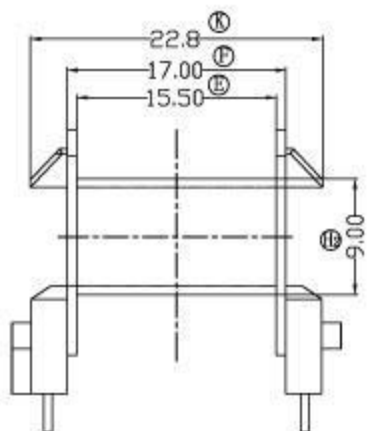
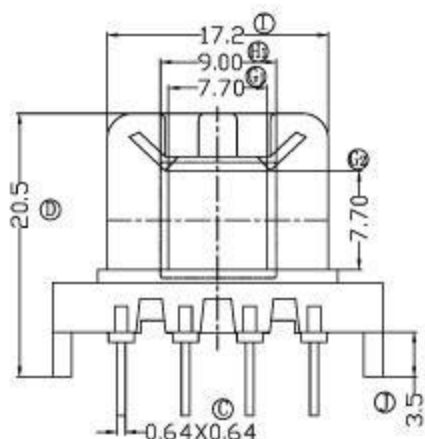
Fusign

 伏赛电子有限公司  
 Fusign Electronics Co., Ltd

型号

EF-2506-1

REV	REVISIONS REC	DATE



DRAWNBY

JING LI PENG

TOLERANCE

MODEL NAME:

BF25-8P-1S

CHECKER BY

LING RONG WANG

 X, X ± 0.3  
 X, XX ± 0.2  
 壁厚: ± 0.15  
 PINPITCH ± 0.2

BOBBIN MATERIAL:

PET

DATE

01-01-2008

SCALE: 2:1

SCALE: UL 94V-0



SCALE: M/M