



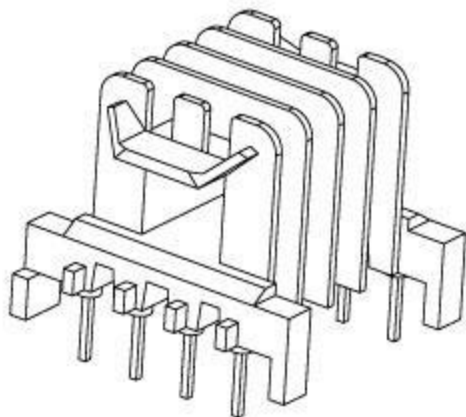
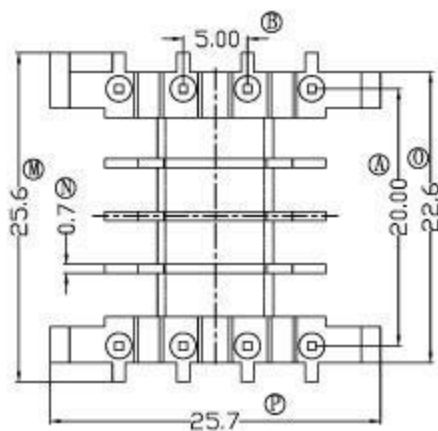
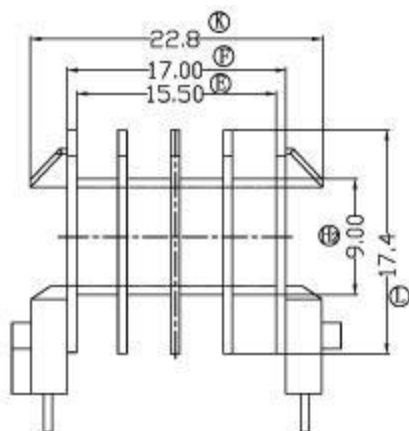
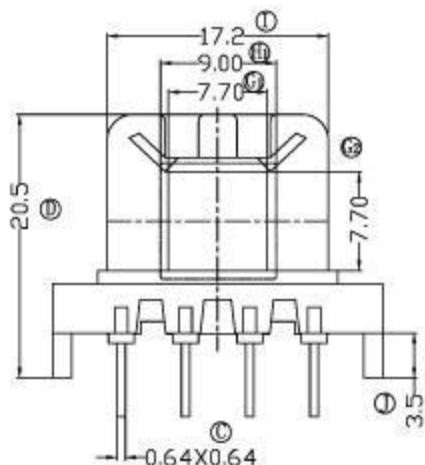
Fusign

 伏赛电子有限公司
 Fusign Electronics Co., Ltd

型号

EF-2506

REV	REVISIONS REC	DATE



DRAWNBY

JING LI PENG

TOLERANCE

MODEL NAME:

BF25-8P-4S

CHECKER BY

LING RONG WANG

X, X	± 0.3
X, XX	± 0.2
壁厚:	± 0.15
PIN PITCH	± 0.2

BOBBIN MATERIAL:

PET

DATE

01-01-2008

SCALE: 2:1

SCALE: UL 94V-0



SCALE: M/M