

HONESTY PASSION INNOVATION

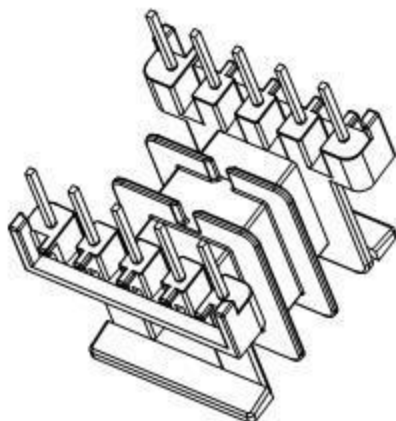
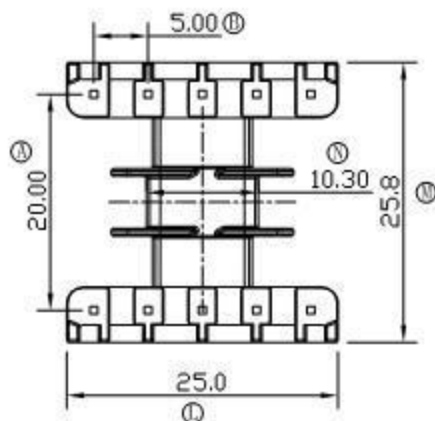
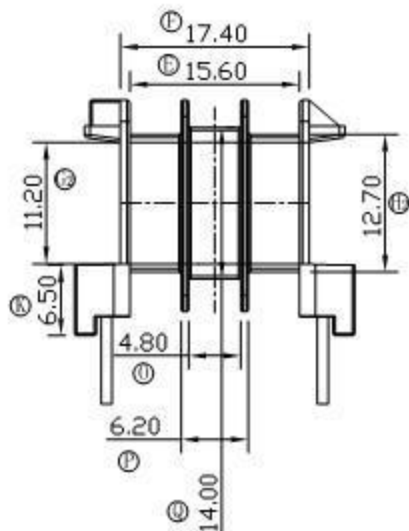
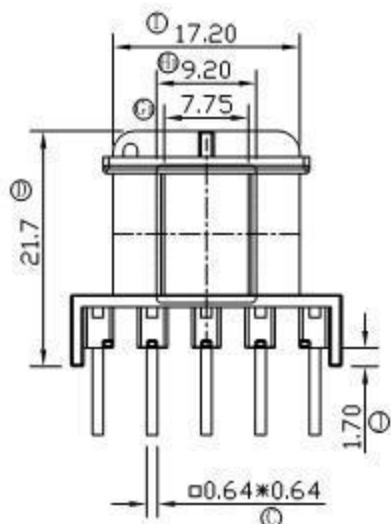
welcome to read and use our company's products



伏赛电子有限公司
Fusign Electronics Co., Ltd

型号 EF-2509-1

REV	REVISIONS REC	DATE



DRAWNBY	JING LI PENG	TOLERANCE	MODEL NAME:	EF25-10P-3S
CHECKER BY	LING RONG WANG	X, X	± 0.3	BOBBIN MATERIAL: PET本色/NYLONG红色
DATE	01-01-2008	X, XX	± 0.2	SCALE: 2:1
		壁厚:	± 0.15	SCALE: UL 94V-0
		PINPITCH	± 0.2	SCALE: M/M