

HONESTY PASSION INNOVATION

welcome to read and use our company's products

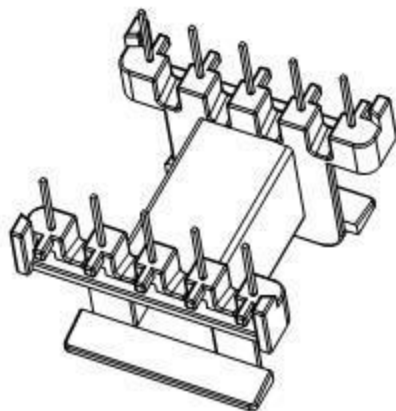
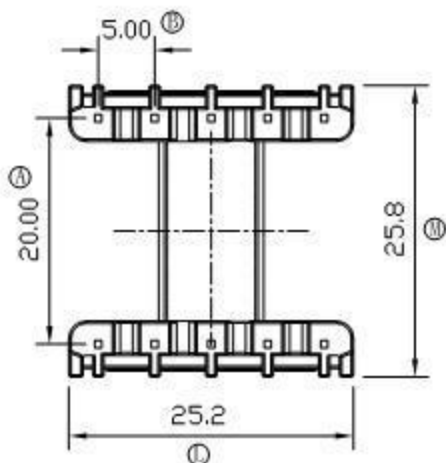
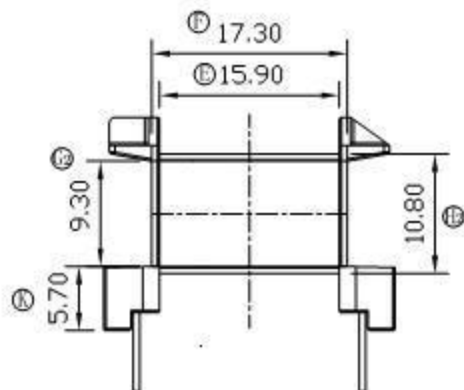
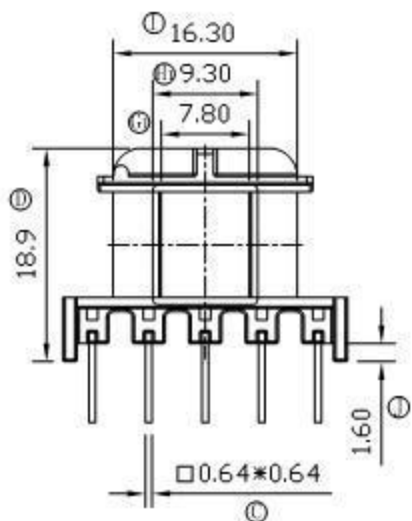


伏赛电子有限公司  
Fusign Electronics Co., Ltd

型号

EF-2510

REV	REVISIONS REC	DATE



DRAWNBY	JING LI PENG	TOLERANCE X, X ± 0.3 X, XX ± 0.2 壁厚: ± 0.15 PINPITCH ± 0.2	MODEL NAME:	EF25-10P-1S	
CHECKER BY	LING RONG WANG		BOBBIN MATERIAL:	PET本色/NYLONG红色	
DATE	01-01-2008		SCALE: 2:1	SCALE: UL 94V-0	SCALE: M/M