

HONESTY PASSION INNOVATION

welcome to read and use our company's products

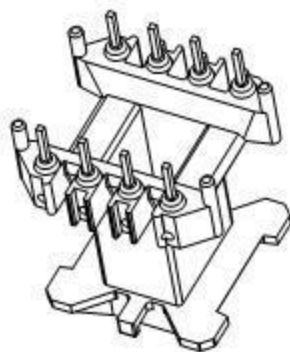
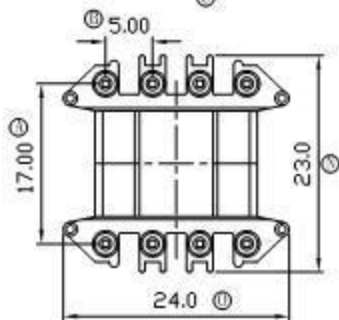
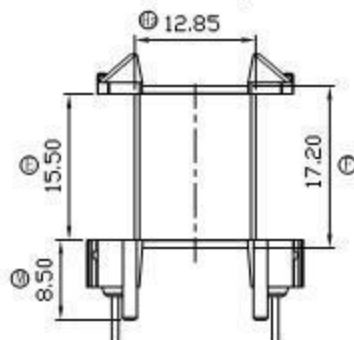
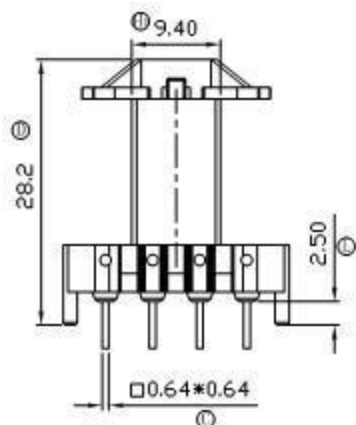
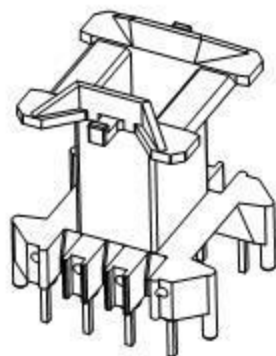
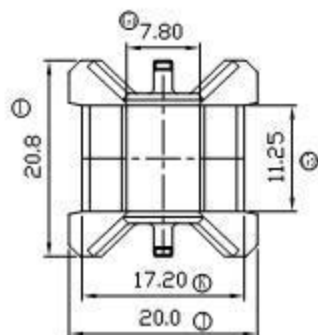


伏赛电子有限公司  
Fusign Electronics Co., Ltd

型号  
号

EF-2511

REV	REVISIONS REC	DATE



DRAWNBY	JING LI PENG	TOLERANCE X, X           ± 0.3 X, XX         ± 0.2 壁厚:         ± 0.15 PINPITCH     ± 0.2	MODEL NAME: EF25-8P-1S	
CHECKER BY	LING RONG WANG		BOBBIN MATERIAL: PET本色/NYLONG红色	
DATE	01-01-2008		SCALE: 2:1	SCALE: UL 94V-0
			SCALE: M/M	