

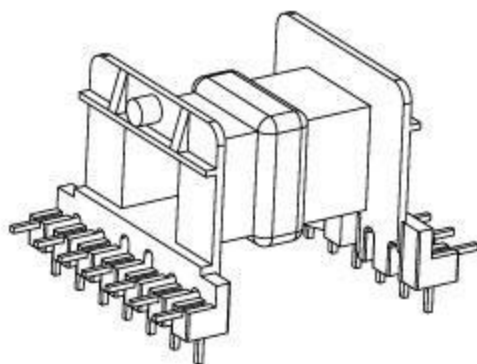
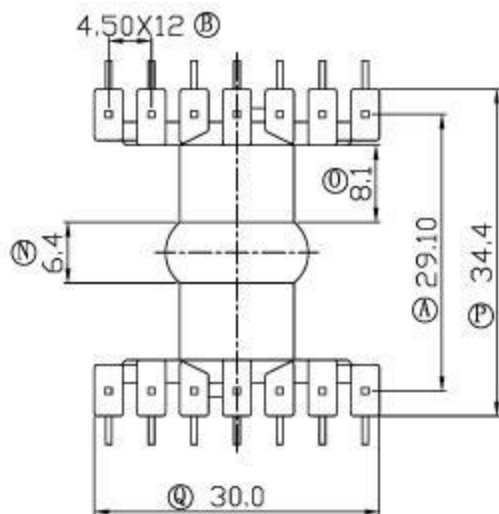
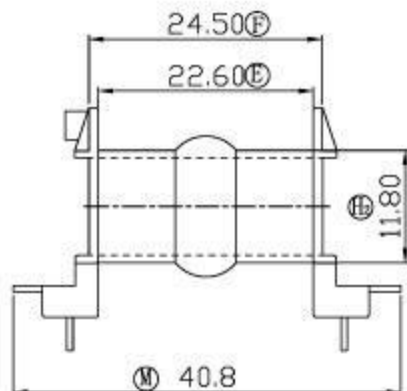
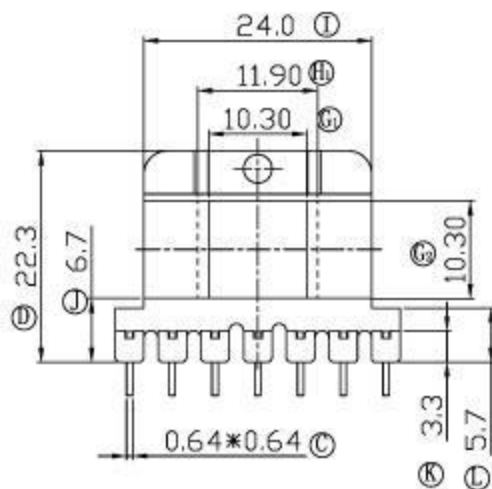


伏赛电子有限公司  
Fusign Electronics Co., Ltd

型号

EF-3508

REV	REVISIONS REC	DATE



DRAWN BY	JING LI PENG	TOLERANCE	MODEL NAME:	EF35 (7+7P)
CHECKER BY	LING RONG WANG		X. X ± 0.3 X. XX ± 0.2 壁厚: ± 0.15 PINPITCH ± 0.2	BOBBIN MATERIAL:
DATE	01-01-2008		SCALE: 1:1	SCALE: UL 94V-0
				SCALE: M/M