



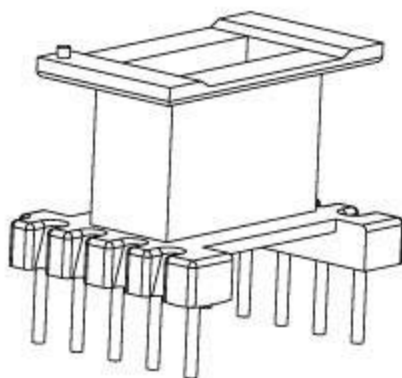
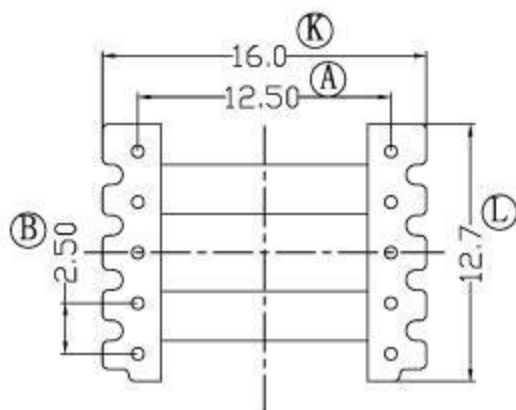
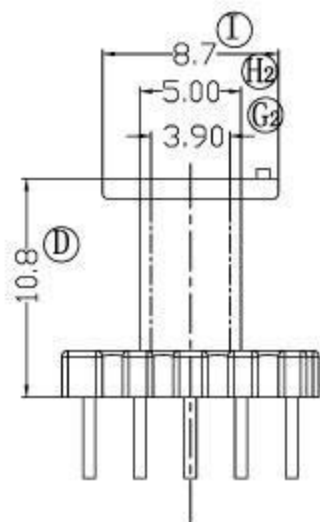
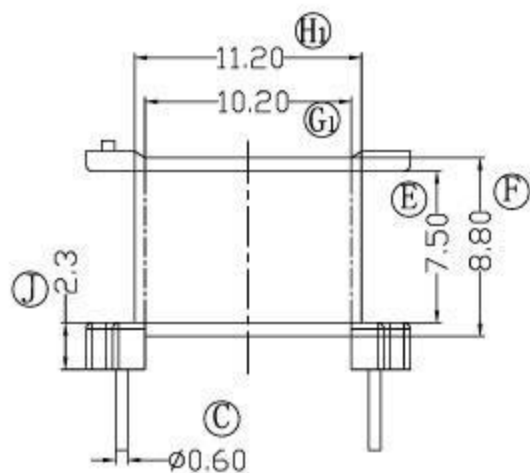
Fusign

伏赛电子有限公司
Fusign Electronics Co., Ltd

型号

EI-1303

REV	REVISIONS REC	DATE



DRAWN BY	JING LI PENG	TOLERANCE	MODEL NAME:	EI13-10P-1S
CHECKER BY	LING RONG WANG		X. X ± 0.3 X. XX ± 0.2 壁厚: ± 0.15 PINPITCH ± 0.2	BOBBIN MATERIAL:
DATE	01-01-2008		SCALE:	2:1
				SCALE: UL 94V-0
				SCALE: M/M