



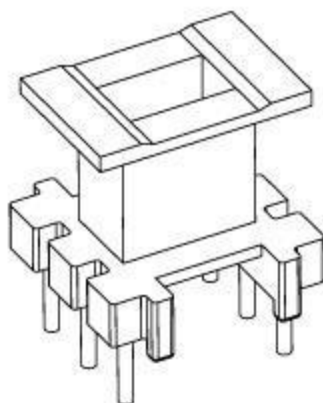
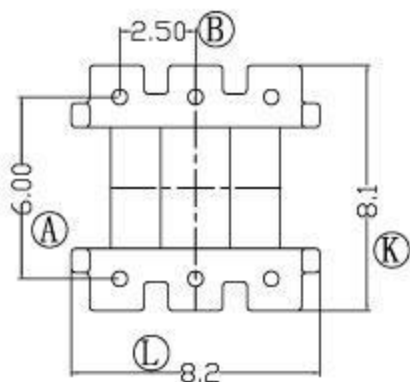
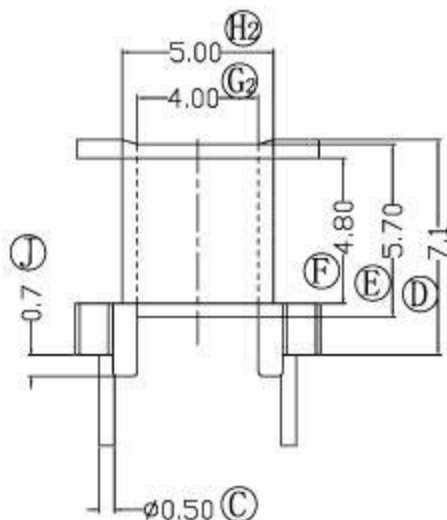
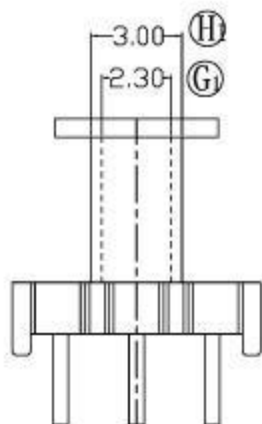
Fusign

 伏赛电子有限公司  
 Fusign Electronics Co., Ltd

型号

EI-0801

| REV | REVISIONS REC | DATE |
|-----|---------------|------|
|     |               |      |
|     |               |      |



|            |                |                |                  |                 |
|------------|----------------|----------------|------------------|-----------------|
| DRAWNBY    | JING LI PENG   | TOLERANCE      | MODEL NAME:      | EE-8.3 (立式)     |
| CHECKER BY | LING RONG WANG |                | BOBBIN MATERIAL: | PHENOLIC        |
| DATE       | 01-01-2008     | X. X ± 0.3     | SCALE: 5:1       | SCALE: UL 94V-0 |
|            |                | X. XX ± 0.2    |                  | SCALE: M/M      |
|            |                | 壁厚: ± 0.15     |                  |                 |
|            |                | PINPITCH ± 0.2 |                  |                 |