



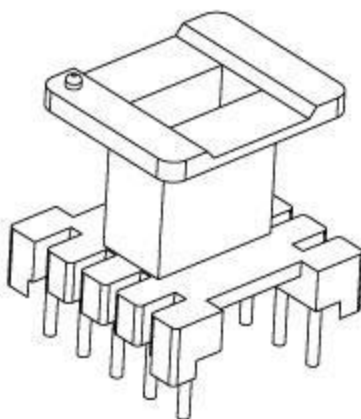
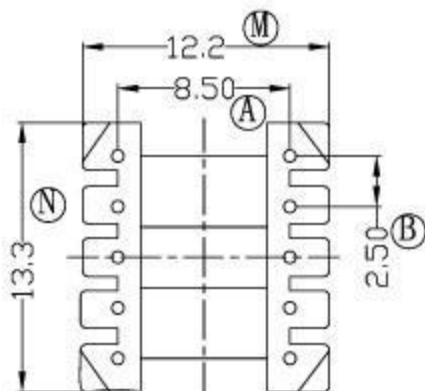
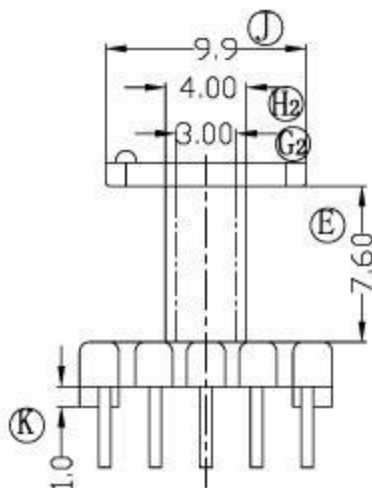
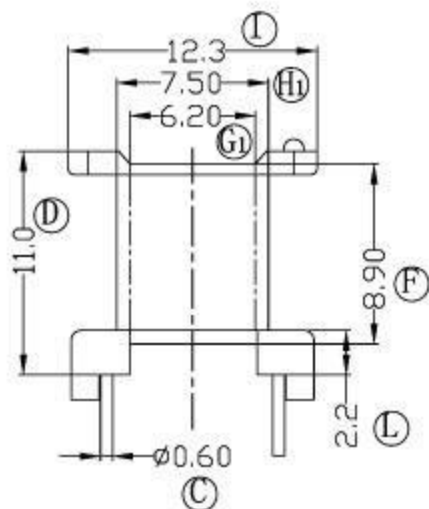
Fusign

 伏赛电子有限公司
 Fusign Electronics Co., Ltd

型号

EI-1302-3

REV	REVISIONS REC	DATE



DRAWNBY

JING LI PENG

TOLERANCE

MODEL NAME:

EI13-10P-1S

CHECKER BY

LING RONG WANG

 X, X ± 0.3
 X, XX ± 0.2
 壁厚: ± 0.15
 PINPITCH ± 0.2

BOBBIN MATERIAL:

PHENOLIC

DATE

01-01-2008

SCALE:

2:1

SCALE:

UL 94V-0



SCALE:

M/M