

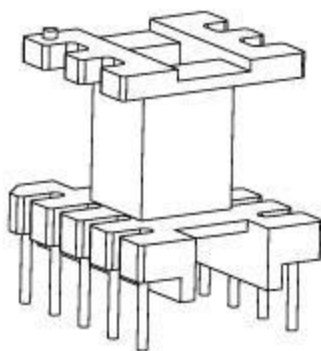
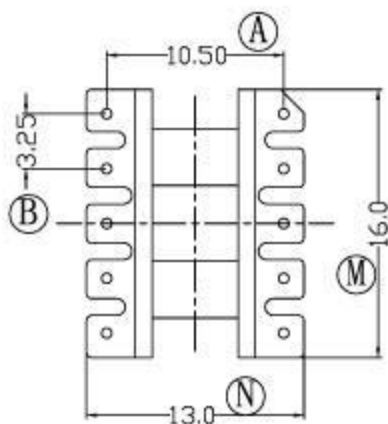
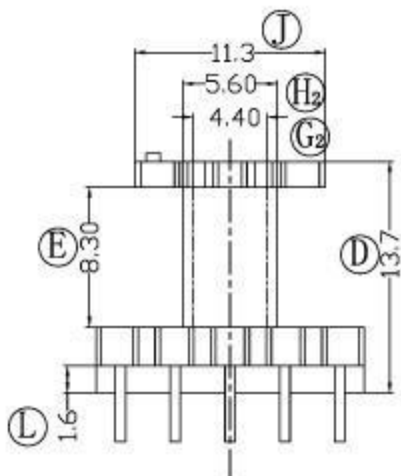
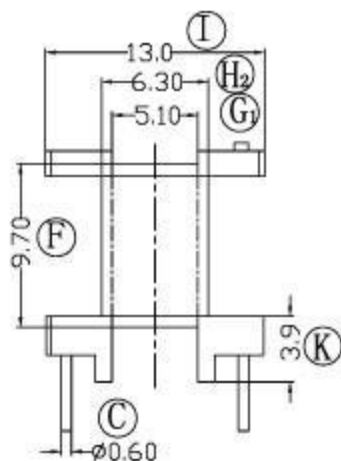


伏赛电子有限公司  
Fusign Electronics Co., Ltd

型号

EI-1604-1

REV	REVISIONS REC	DATE



DRAWN BY	JING LI PENG	TOLERANCE	MODEL NAME:	EI-16 (5+5P)			
CHECKER BY	LING RONG WANG		X. X	± 0.3	BOBBIN MATERIAL:	PHENOLIC	
DATE	01-01-2008	X. XX	± 0.2	SCALE:	2:1	SCALE:	UL 94V-0
		壁厚:	± 0.15			SCALE:	M/M
		PIN PITCH	± 0.2				