



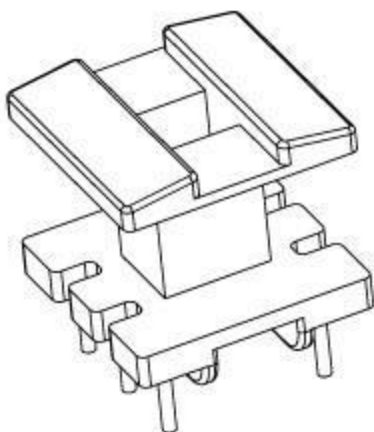
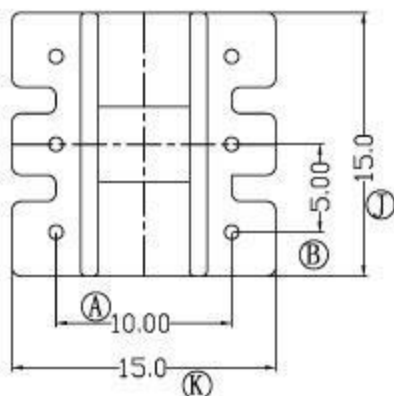
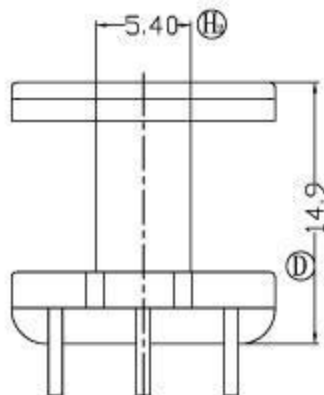
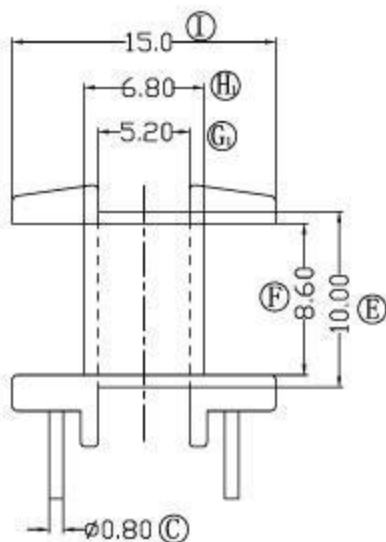
Fusign

伏赛电子有限公司  
Fusign Electronics Co., Ltd

型号

EI-1615

REV	REVISIONS REC	DATE



DRAWNBY	JING LI PENG	TOLERANCE	MODEL NAME:	EI16-6P
CHECKER BY	LING RONG WANG		X. X           ± 0.3 X. XX         ± 0.2 壁厚:         ± 0.15 PINPITCH     ± 0.2	BOBBIN MATERIAL:
DATE	01-01-2008		SCALE:       2:1	SCALE:       UL 94V-0
				SCALE:       M/M