



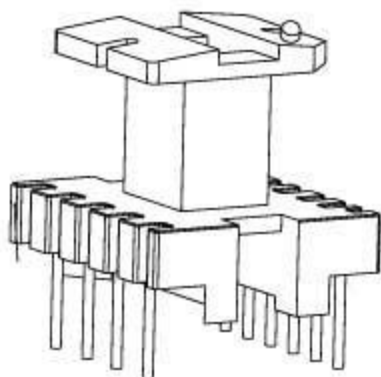
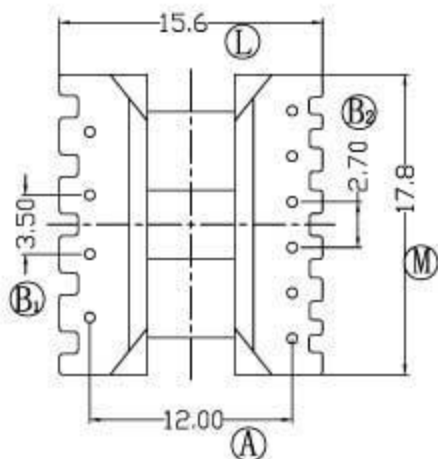
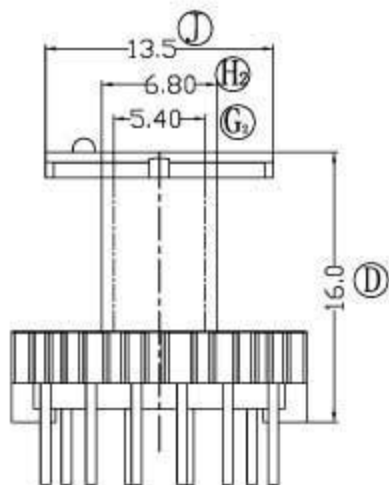
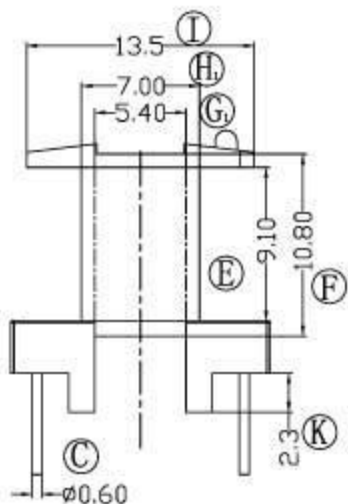
Fusign

伏赛电子有限公司
Fusign Electronics Co., Ltd

型号

EI-1616

REV	REVISIONS REC	DATE



DRAWN BY	JING LI PENG	TOLERANCE	MODEL NAME:	EI-16 (4+6P)	
CHECKER BY	LING RONG WANG		X. X	BOBBIN MATERIAL:	PHENOLIC
DATE	01-01-2008	X. XX	SCALE:	2:1	SCALE: UL 94V-0
		壁厚:			SCALE: M/M
		PINPITCH			