



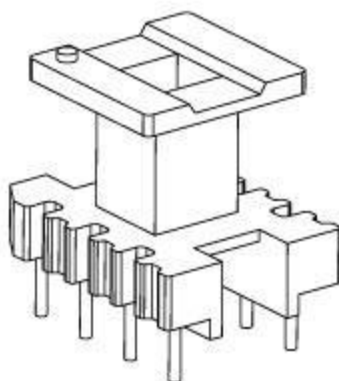
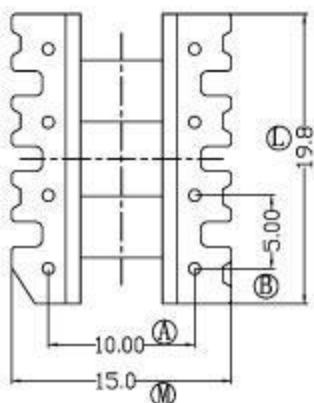
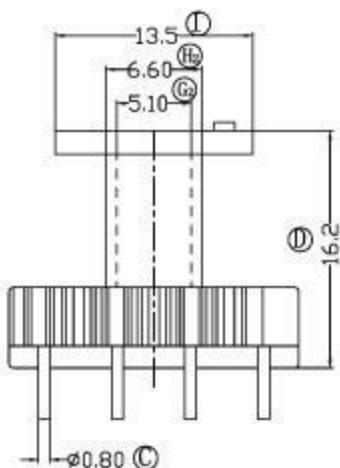
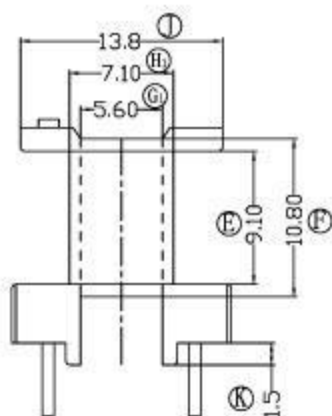
Fusign

伏赛电子有限公司
Fusign Electronics Co., Ltd

型号

EI-1904

REV	REVISIONS REC	DATE



DRAWNBY	JING LI PENG	TOLERANCE	MODEL NAME:	EI-19-8P
CHECKER BY	LING RONG WANG		BOBBIN MATERIAL:	PHENOLIC
DATE	01-01-2008	X. X ± 0.3 X. XX ± 0.2 壁厚: ± 0.15 PINPITCH ± 0.2	SCALE: 2:1	SCALE: UL 94V-0
				SCALE: M/M