



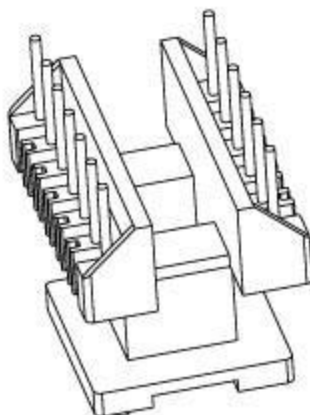
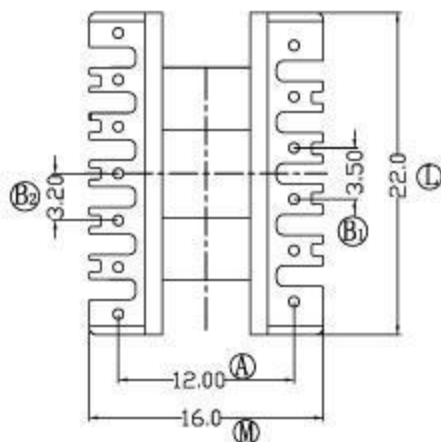
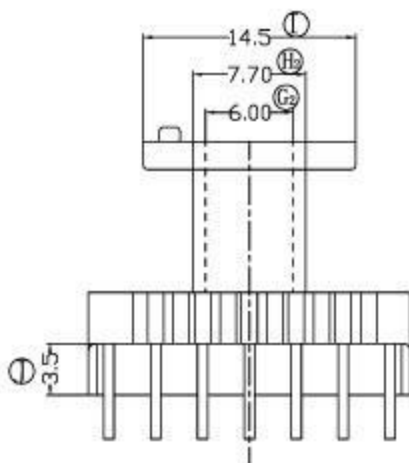
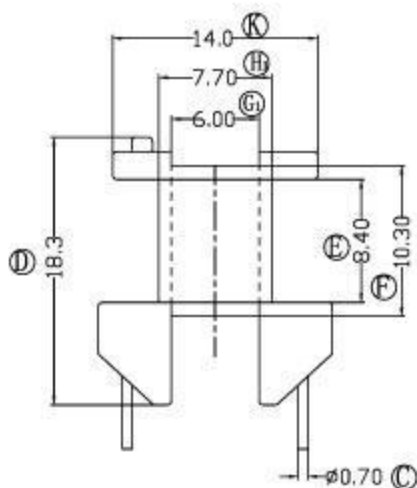
Fusign

伏赛电子有限公司
Fusign Electronics Co., Ltd

型号

EI-2201

REV	REVISIONS REC	DATE



DRAWNBY

JING LI PENG

TOLERANCE

MODEL NAME:

EI-22 (6+7P)

CHECKER BY

LING RONG WANG

BOBBIN MATERIAL:

PHENOLIC

DATE

01-01-2008

SCALE:

2:1

SCALE:

UL 94V-0

X. X

± 0.3

X. XX

± 0.2

壁厚:

± 0.15

PINPITCH

± 0.2



SCALE:

M/M