

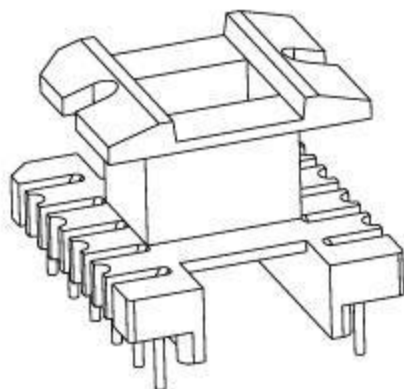
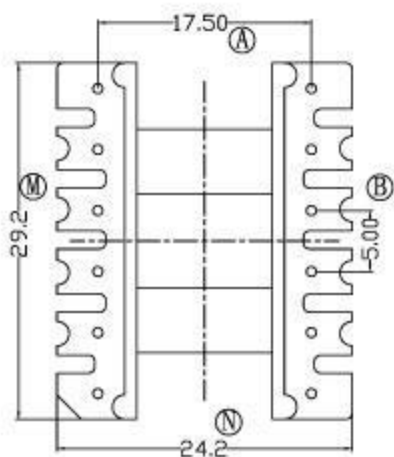
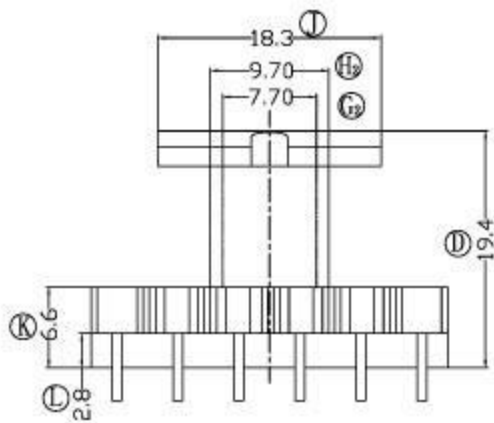
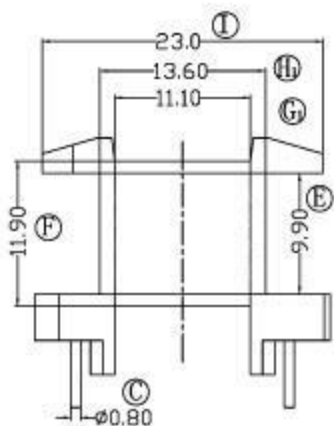


伏赛电子有限公司  
Fusign Electronics Co., Ltd

型号

EI-2812

| REV | REVISIONS REC | DATE |
|-----|---------------|------|
|     |               |      |
|     |               |      |



|            |                |
|------------|----------------|
| DRAWN BY   | JING LI PENG   |
| CHECKER BY | LING RONG WANG |
| DATE       | 01-01-2008     |

| TOLERANCE |            |
|-----------|------------|
| X. X      | $\pm 0.3$  |
| X. XX     | $\pm 0.2$  |
| 壁厚:       | $\pm 0.15$ |
| PIN PITCH | $\pm 0.2$  |

|                  |              |                 |
|------------------|--------------|-----------------|
| MODEL NAME:      | EI-28 (6+6P) |                 |
| BOBBIN MATERIAL: | PHENOLIC     |                 |
| SCALE:           | 2:1          | SCALE: UL 94V-0 |
|                  |              | SCALE: M/M      |