



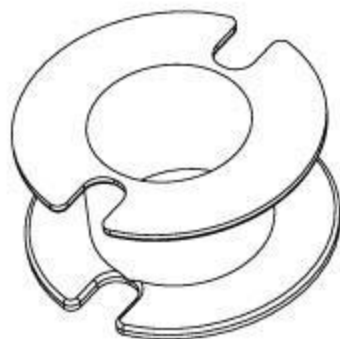
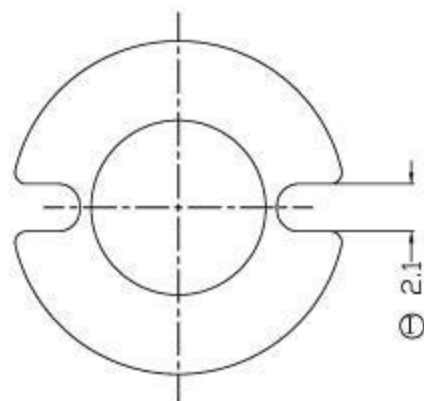
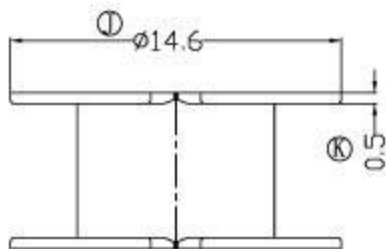
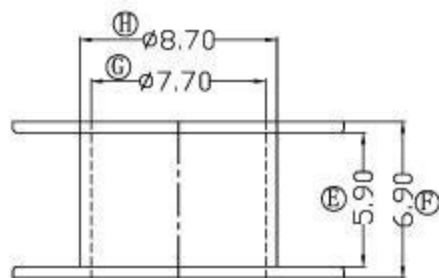
Fusign

 伏赛电子有限公司
 Fusign Electronics Co., Ltd

型号

P-18

REV	REVISIONS REC	DATE



DRAWNBY	JING LI PENG	TOLERANCE	MODEL NAME:	P-18
CHECKER BY	LING RONG WANG	X. X ± 0.3	BOBBIN MATERIAL:	NY尼龙 黑色
DATE	01-01-2008	X. XX ± 0.2	SCALE: 5:1	SCALE: UL 94V-0
		壁厚: ± 0.15		SCALE: M/M
		PINPITCH ± 0.2		