

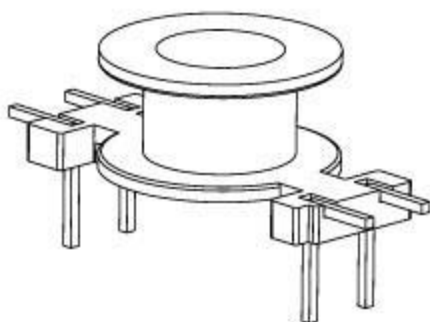
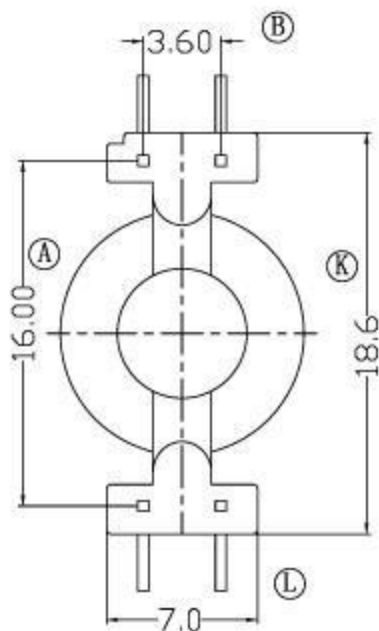
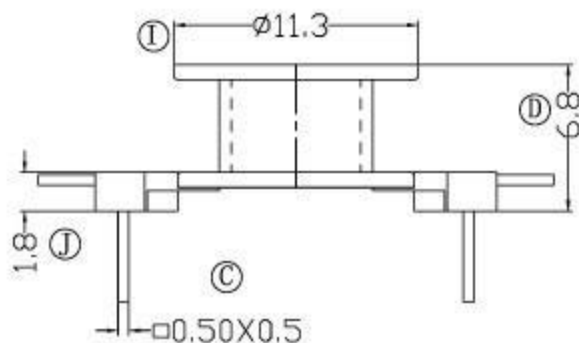
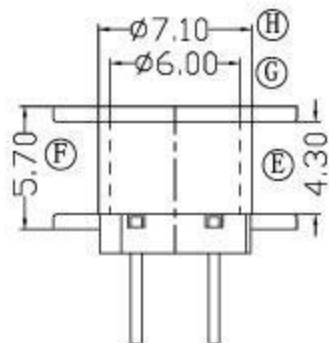


伏赛电子有限公司
Fusign Electronics Co., Ltd

型号

POT-1401

REV	REVISIONS REC	DATE



DRAWNBY

JING LI PENG

TOLERANCE

MODEL NAME:

POT-14-4P

CHECKER BY

LING RONG WANG

X.X ± 0.3
X.XX ± 0.2
壁厚: ± 0.15
PINPITCH ± 0.2

BOBBIN MATERIAL:

NYLON 白色

SCALE: 2:1

SCALE: UL 94V-0

DATE

01-01-2008



SCALE:

M/M