

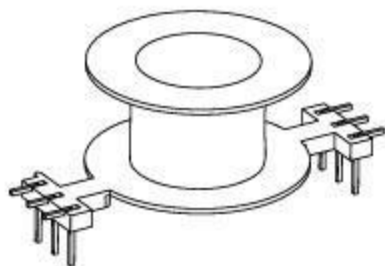
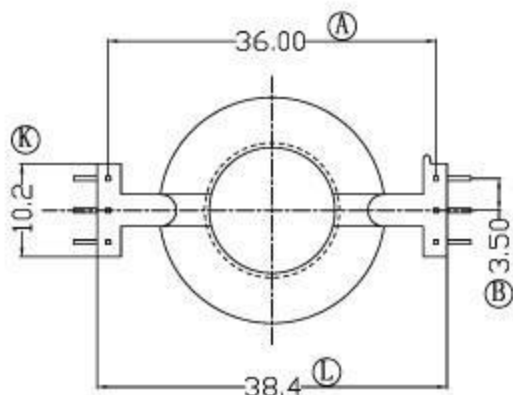
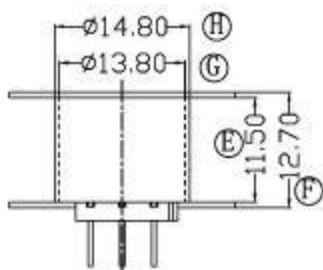
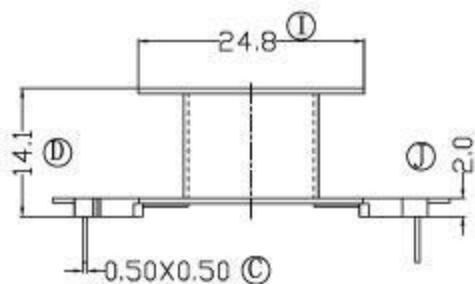


伏赛电子有限公司  
Fusign Electronics Co., Ltd

型号

POT-3001

| REV | REVISIONS REC | DATE |
|-----|---------------|------|
|     |               |      |
|     |               |      |



|            |                |           |   |                  |                 |
|------------|----------------|-----------|---|------------------|-----------------|
| DRAWN BY   | JING LI PENG   | TOLERANCE | MODEL NAME:   | POT-30 (3+3P)    |                 |
| CHECKER BY | LING RONG WANG |           | X. X            ± 0.3<br>X. XX          ± 0.2<br>壁厚:          ± 0.15<br>PINPITCH      ± 0.2 | BOBBIN MATERIAL: | NYLONG 白色       |
| DATE       | 01-01-2008     |           | SCALE:  | 2:1              | SCALE: UL 94V-0 |
|            |                |           |   |                  | SCALE: M/M      |