



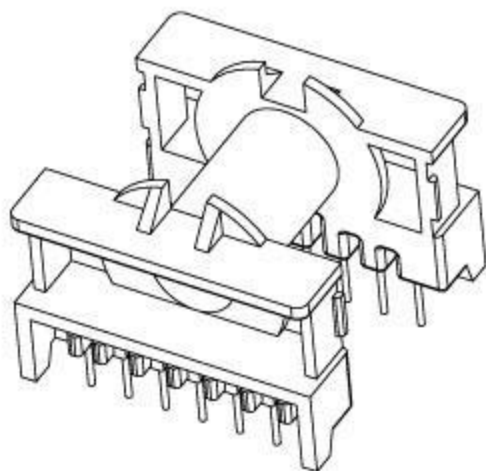
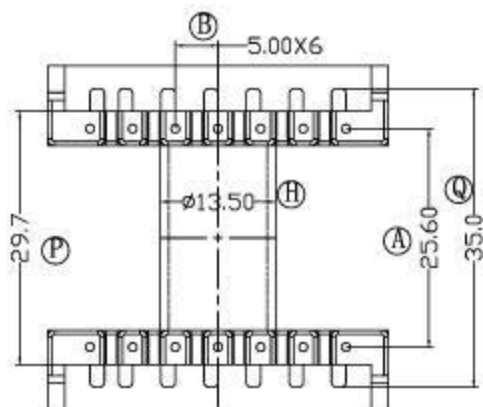
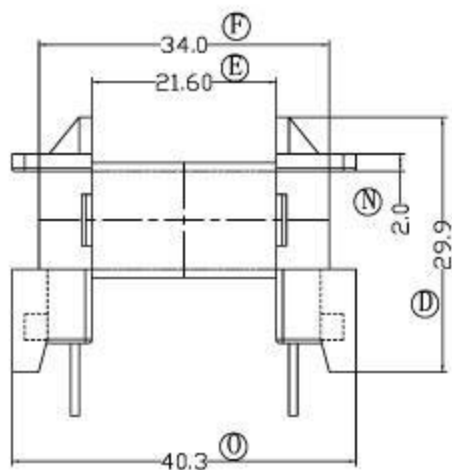
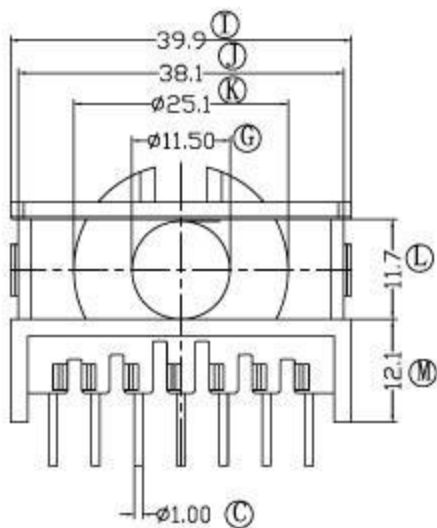
Fusign

 伏赛电子有限公司  
 Fusign Electronics Co., Ltd

型号

ETD-3401

| REV | REVISIONS REC | DATE |
|-----|---------------|------|
|     |               |      |
|     |               |      |



DRAWNBY

JING LI PENG

TOLERANCE

MODEL NAME:

ETD34-14P

CHECKER BY

LING RONG WANG

|          |        |
|----------|--------|
| X, X     | ± 0.3  |
| X, XX    | ± 0.2  |
| 壁厚:      | ± 0.15 |
| PINPITCH | ± 0.2  |

BOBBIN MATERIAL:

PHENOLIC

DATE

01-01-2008

SCALE: 1:1

SCALE: UL 94V-0



SCALE: M/M