

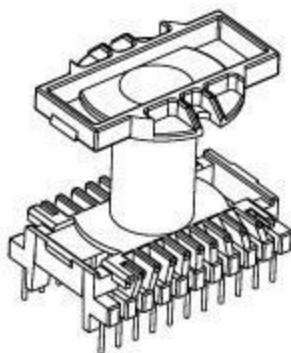
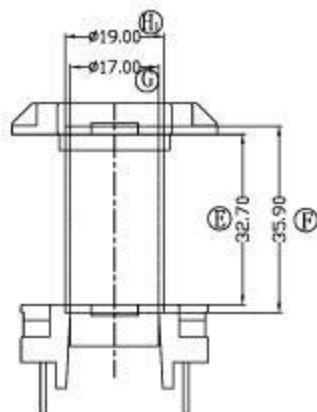
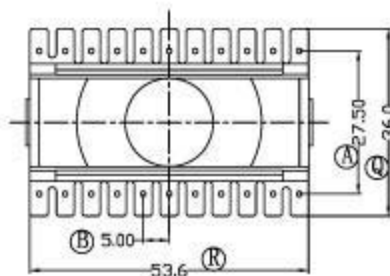
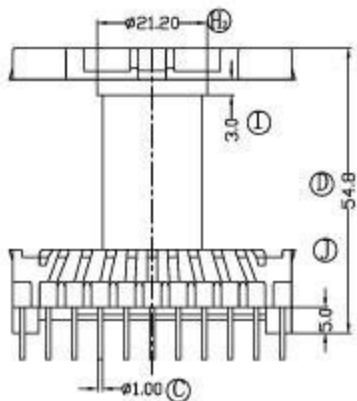
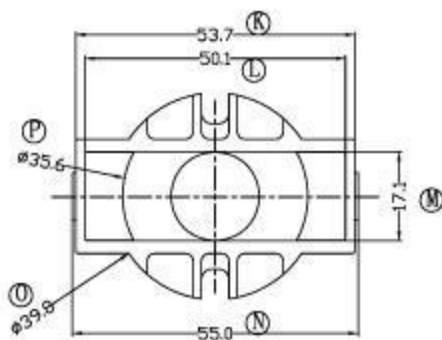


伏赛电子有限公司
Fusign Electronics Co., Ltd

型号

ETD-4901

REV	REVISIONS REC	DATE



DRAWN BY	JING LI PENG
CHECKER BY	LING RONG WANG
DATE	01-01-2008

TOLERANCE	
X. X	± 0.3
X. XX	± 0.2
壁厚:	± 0.15
PINPITCH	± 0.2

MODEL NAME: 立式ETD49-22P	
BOBBIN MATERIAL: PHENOLIC	
SCALE: 1:1	SCALE: UL 94V-0
	SCALE: M/M