



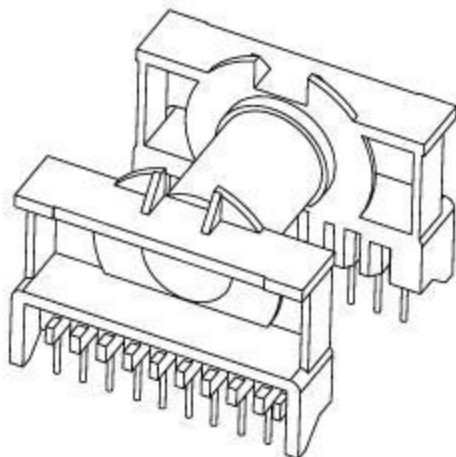
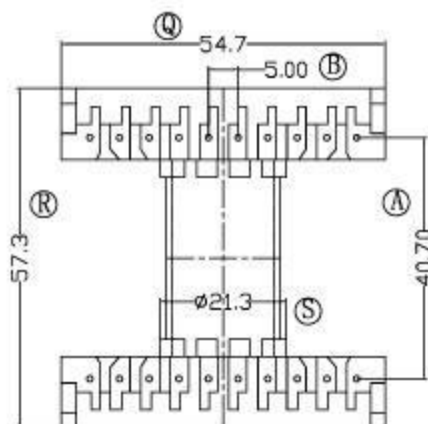
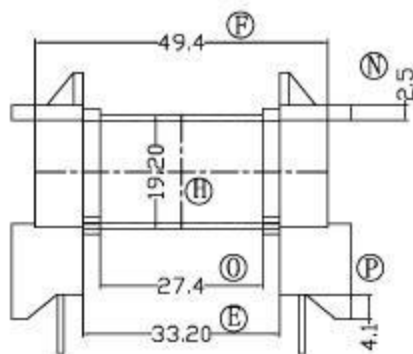
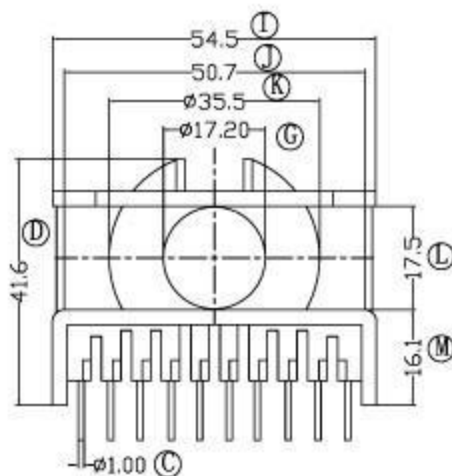
Fusign

伏赛电子有限公司
Fusign Electronics Co., Ltd

型号

ETD-4902

REV	REVISIONS REC	DATE



DRAWNBY

JING LI PENG

TOLERANCE

MODEL NAME:

ETD49-20P

CHECKER BY

LING RONG WANG

X. X ± 0.3
X. XX ± 0.2
壁厚: ± 0.15
PINPITCH ± 0.2

BOBBIN MATERIAL:

PHENOLIC

SCALE: 1:1

SCALE: UL 94V-0

DATE

01-01-2008

SCALE: M/M

