

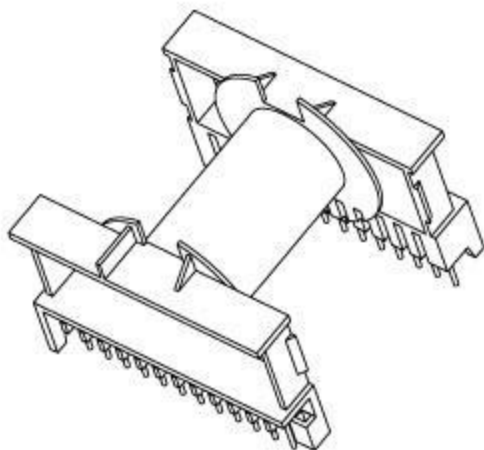
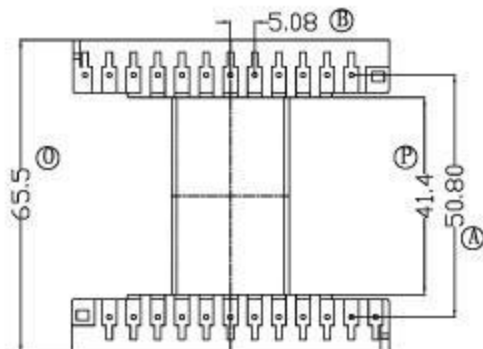
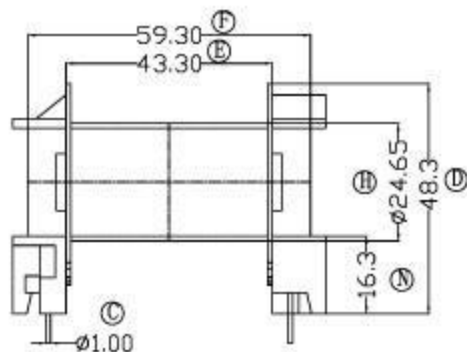
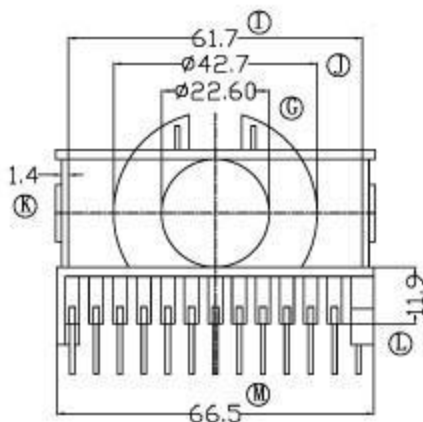


伏赛电子有限公司  
Fusign Electronics Co., Ltd

型号

ETD-5901

REV	REVISIONS REC	DATE



DRAWN BY	JING LI PENG	TOLERANCE	MODEL NAME:	ETD-59-24P
CHECKER BY	LING RONG WANG	X. X $\pm 0.3$	BOBBIN MATERIAL:	PET
DATE	01-01-2008	X. XX $\pm 0.2$	SCALE:       1:1	SCALE:       UL 94V-0
		壁厚: $\pm 0.15$		SCALE:       M/M
		PIN PITCH $\pm 0.2$		