



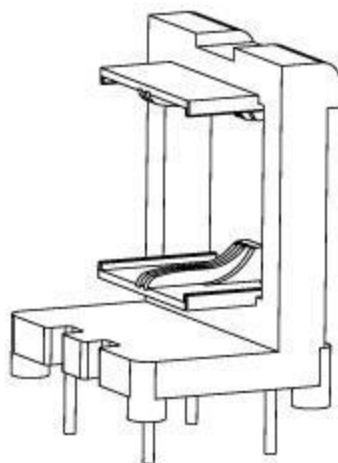
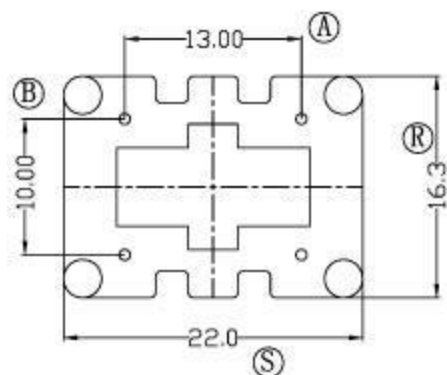
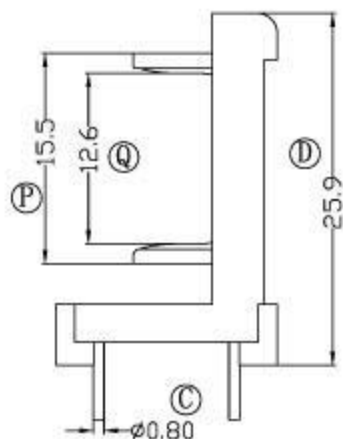
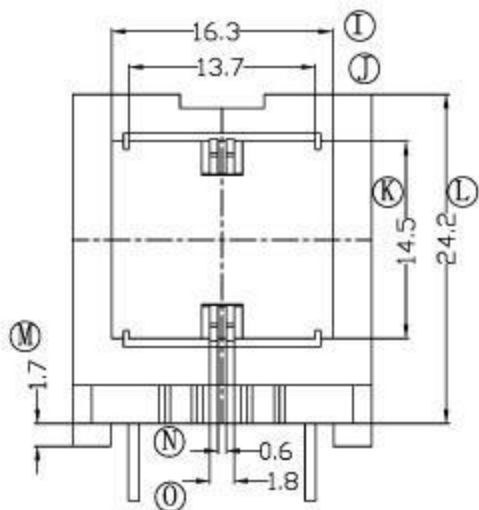
Fusign

 伏赛电子有限公司
 Fusign Electronics Co., Ltd

型号

UT-2002

REV	REVISIONS REC	DATE



DRAWNBY

JING LI PENG

TOLERANCE

MODEL NAME:

ET-20底座

CHECKER BY

LING RONG WANG

X, X	± 0.3
X, XX	± 0.2
壁厚:	± 0.15
PINPITCH	± 0.2

BOBBIN MATERIAL:

PHENOLIC

DATE

01-01-2008

SCALE:

2:1

SCALE:

UL 94V-0



SCALE:

M/M