

HONESTY PASSION INNOVATION

welcome to read and use our company's products

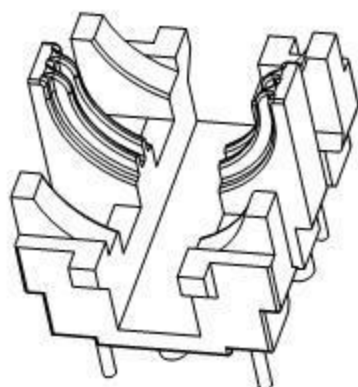
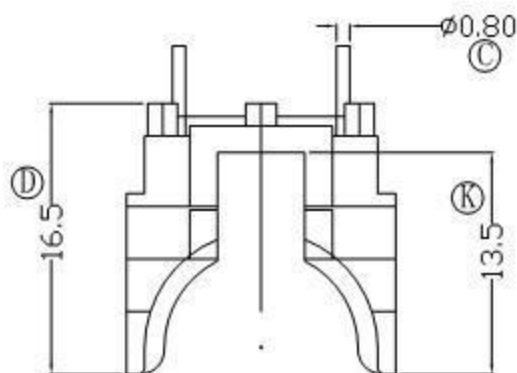
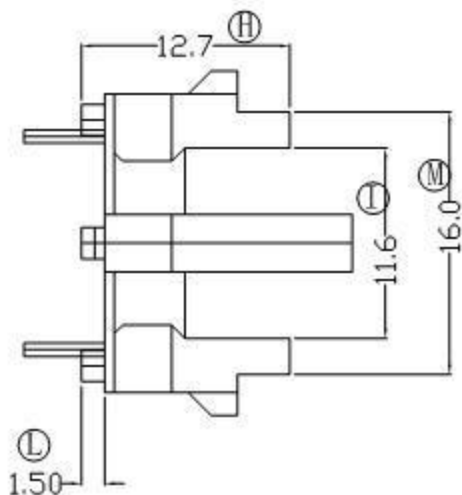
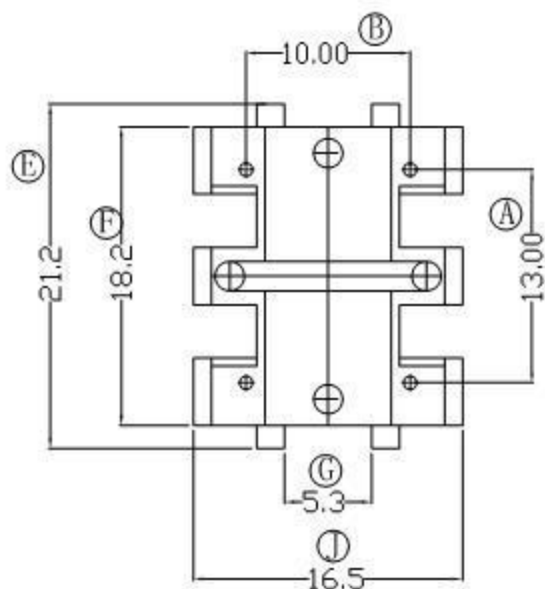


伏赛电子有限公司  
Fusign Electronics Co., Ltd

型号

UT-2004

REV	REVISIONS REC	DATE



DRAWNBY	JING LI PENG	TOLERANCE X, X $\pm 0.3$ X, XX $\pm 0.2$ 壁厚: $\pm 0.15$ PINPITCH $\pm 0.2$	MODEL NAME: ET-20 底座	
CHECKER BY	LING RONG WANG		BOBBIN MATERIAL: PHENOLIC	
DATE	22-11-2008		SCALE: 3.5:1	SCALE: UL 94V-0
			SCALE: M/M	