

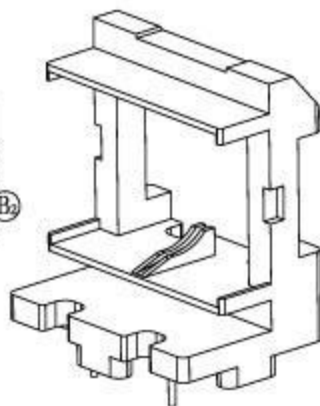
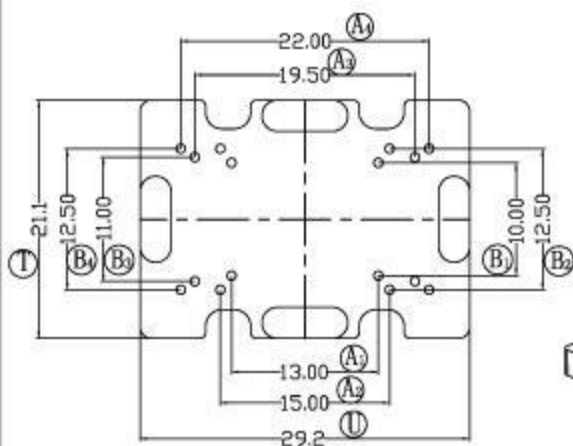
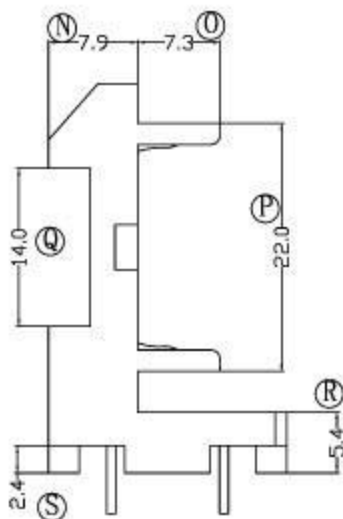
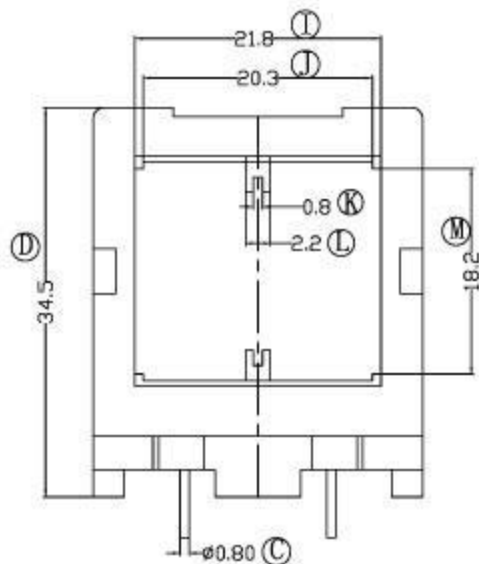


伏赛电子有限公司  
Fusign Electronics Co., Ltd

型号

UT-2801

| REV | REVISIONS REC | DATE |
|-----|---------------|------|
|     |               |      |
|     |               |      |



针脚距

(6.5x2) 13x10  
15x12.5  
19.5x11  
22x12.5

|            |                |
|------------|----------------|
| DRAWN BY   | JING LI PENG   |
| CHECKER BY | LING RONG WANG |
| DATE       | 01-01-2008     |

| TOLERANCE |        |
|-----------|--------|
| X. X      | ± 0.3  |
| X. XX     | ± 0.2  |
| 壁厚:       | ± 0.15 |
| PINPITCH  | ± 0.2  |

|                  |          |                 |
|------------------|----------|-----------------|
| MODEL NAME:      | ET-28 底座 |                 |
| BOBBIN MATERIAL: | PHENOLIC |                 |
| SCALE:           | 1:1      | SCALE: UL 94V-0 |
|                  |          | SCALE: M/M      |