



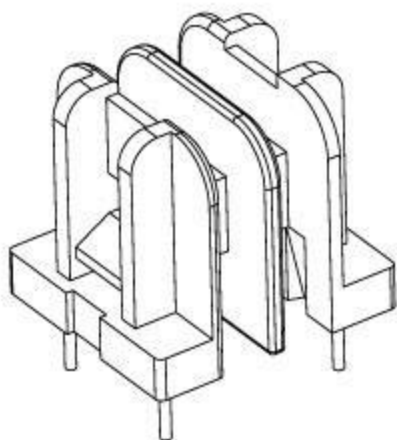
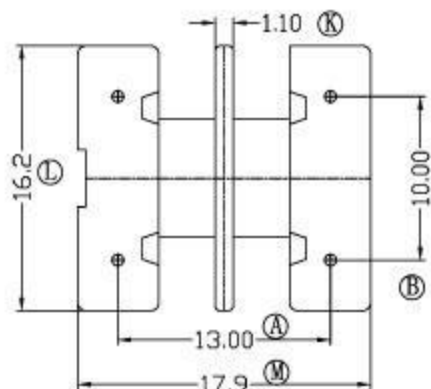
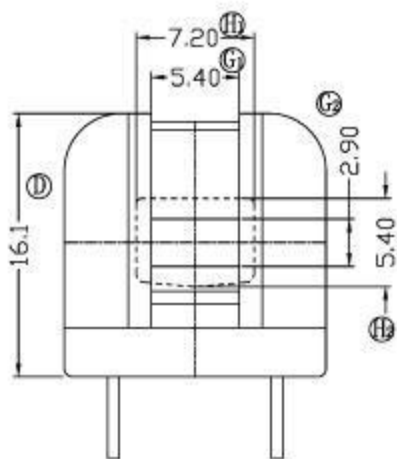
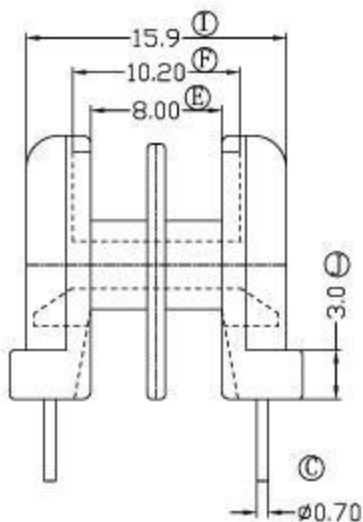
Fusign

 伏赛电子有限公司
 Fusign Electronics Co., Ltd

型号

UU-1054

REV	REVISIONS REC	DATE



DRAWN BY	JING LI PENG	TOLERANCE	MODEL NAME:	UU-10.5-2S
CHECKER BY	LING RONG WANG		BOBBIN MATERIAL:	PHENOLIC
DATE	01-01-2008	X. X ± 0.3 X. XX ± 0.2 壁厚: ± 0.15 PINPITCH ± 0.2	SCALE: 4:1	SCALE: UL 94V-0
			SCALE:	

