



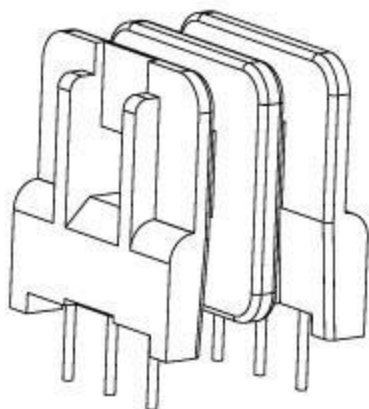
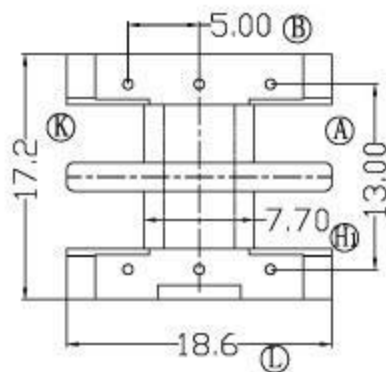
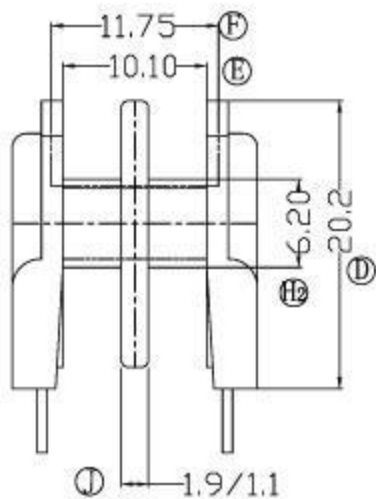
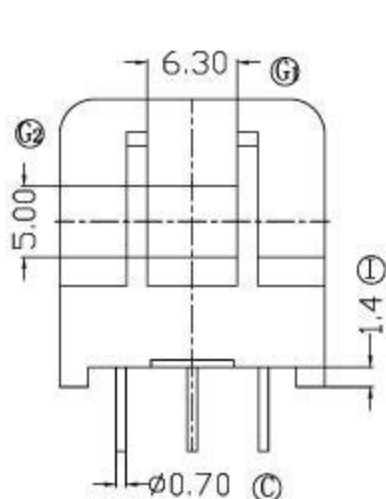
Fusign

 伏赛电子有限公司
 Fusign Electronics Co., Ltd

型号

UU-1601

REV	REVISIONS REC	DATE



DRAWNBY

JING LI PENG

TOLERANCE

MODEL NAME:

UU-15.7

CHECKER BY

LING RONG WANG

X. X	± 0.3
X. XX	± 0.2
壁厚:	± 0.15
PINPITCH	± 0.2

BOBBIN MATERIAL:

PHENOLIC

DATE

01-01-2008

SCALE: 3:1

SCALE: UL 94V-0



SCALE: M/M