



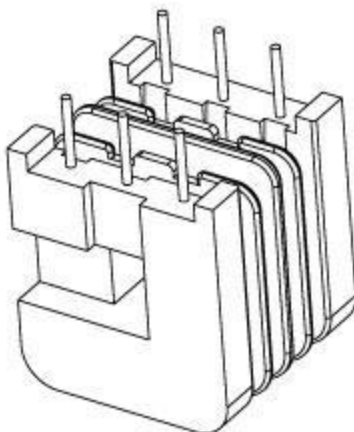
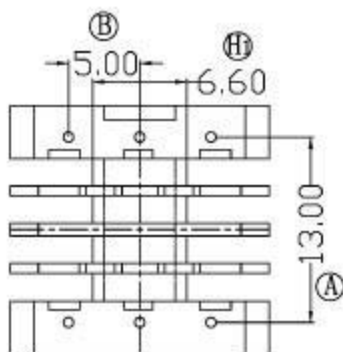
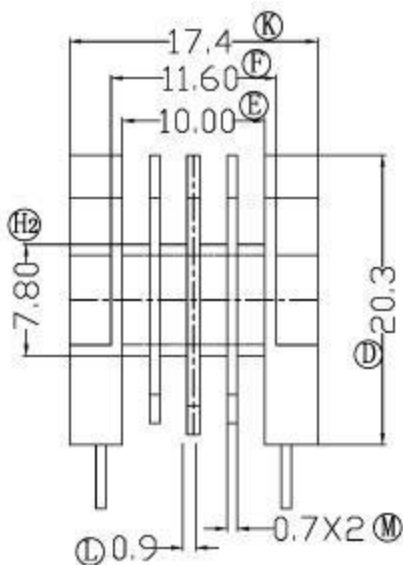
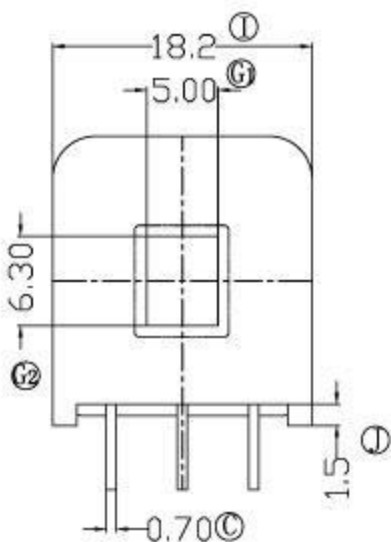
Fusign

 伏赛电子有限公司
 Fusign Electronics Co., Ltd

型号

UU-1602

REV	REVISIONS REC	DATE



DRAWNBY

JING LI PENG

TOLERANCE

MODEL NAME: UU-16-4S磁心横插

CHECKER BY

LING RONG WANG

BOBBIN MATERIAL:

PHENOLIC

DATE

01-01-2008

X. X	± 0.3
X. XX	± 0.2
壁厚:	± 0.15
PINPITCH	± 0.2

SCALE: 3:1

SCALE: UL 94V-0



SCALE: M/M