



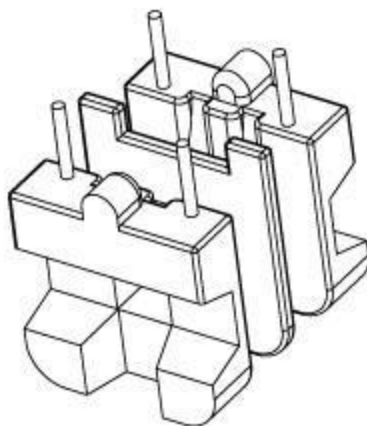
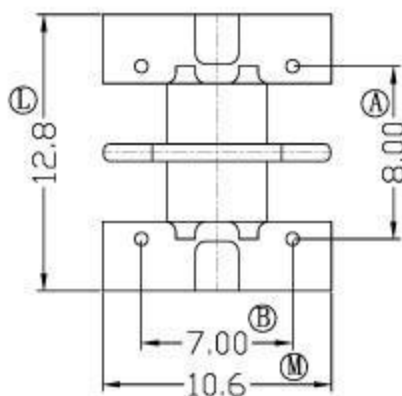
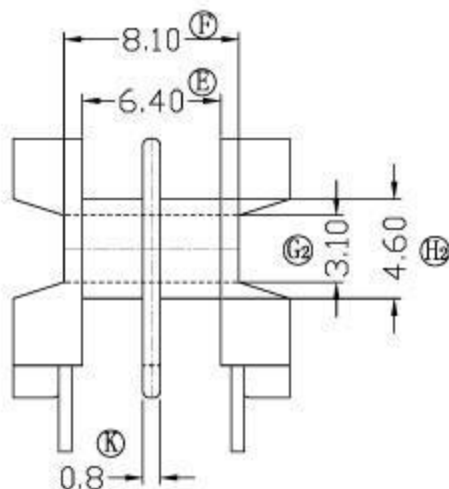
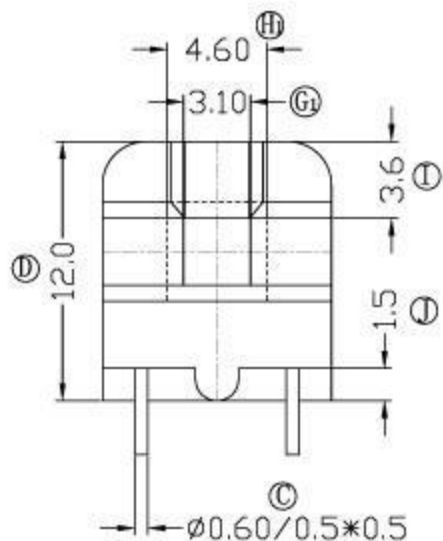
Fusign

 伏赛电子有限公司  
 Fusign Electronics Co., Ltd

型号

UU-901-1

REV	REVISIONS REC	DATE



DRAWN BY

JING LI PENG

TOLERANCE

MODEL NAME:

UU-9.8 叶片有缺口

CHECKER BY

LING RONG WANG

X. X	± 0.3
X. XX	± 0.2
壁厚:	± 0.15
PINPITCH	± 0.2

BOBBIN MATERIAL:

PHENOLIC

DATE

01-01-2008

SCALE: 4:1

SCALE: UL 94V-0



SCALE: M/M